

I PORT CONNECT MOUNT

WALLMOUNT



72356 - CONNECT Wall Mount Black

WALLMOUNT

I PORT CONNECT Wall Mount Install Manual

Thank you for purchasing the all new IPORT CONNECT Platform. We hope you enjoy this revolutionary new system and if at any time you need more assistance please contact IPORT Tech Support via Online chat or through our help desk.

- IPORT Team

Whats in box:

- 1 - IPORT CONNECT Wall Mount bracket
- 1 - Info Card
- 1 - PoE+ Network Adapter (72101)
- 4 - Drywall Anchors
- 4 - #6 HighLow thread Screws
- 1 - Molex Male to Female extension cable
- 1 - Mounting Bracket
- 4 - Philips machine screws

Product Info Page - www.iportproducts.com/connect-Mount

Glossary of Terms:

- **WallMount** - The fully assembled CONNECT MOUNT holding and charging the IPORT CONNECT Case.
- **Mounting Bracket** - The removable plastic insert that attaches to the CASE connecting the CASE to the Wall Mount bracket
- **I PORT Security Tool** - The orange handled 1.5mm hex tool used for locking and unlocking IPORT Products.

WALLMOUNT

MOUNT INSTALL OPTIONS

Before starting, determine the install scenario that best describes your desired install. Then click on the title to be directed to the appropriate install steps.

[New Construction using Cat 6 Cable | pg. 4](#)

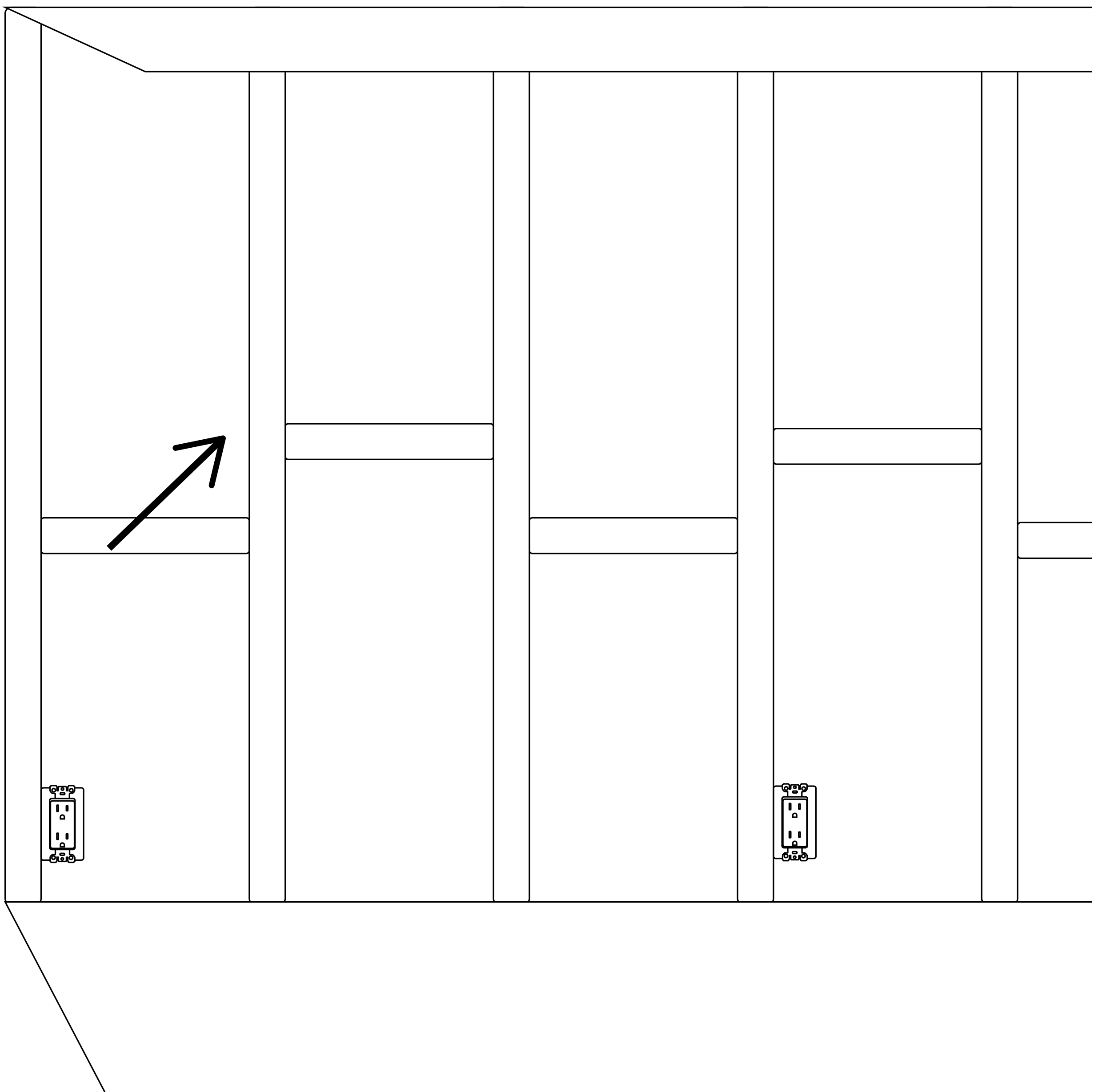
[Existing Construction using Cat 6 Cable | pg. 15](#)

WALLMOUNT

I PORT CONNECT WallMount Install New Construction - Cat6

Before Construction is complete

- 1. Determine the desired location of the I PORT CONNECT WallMount will live when the construction is completed.**

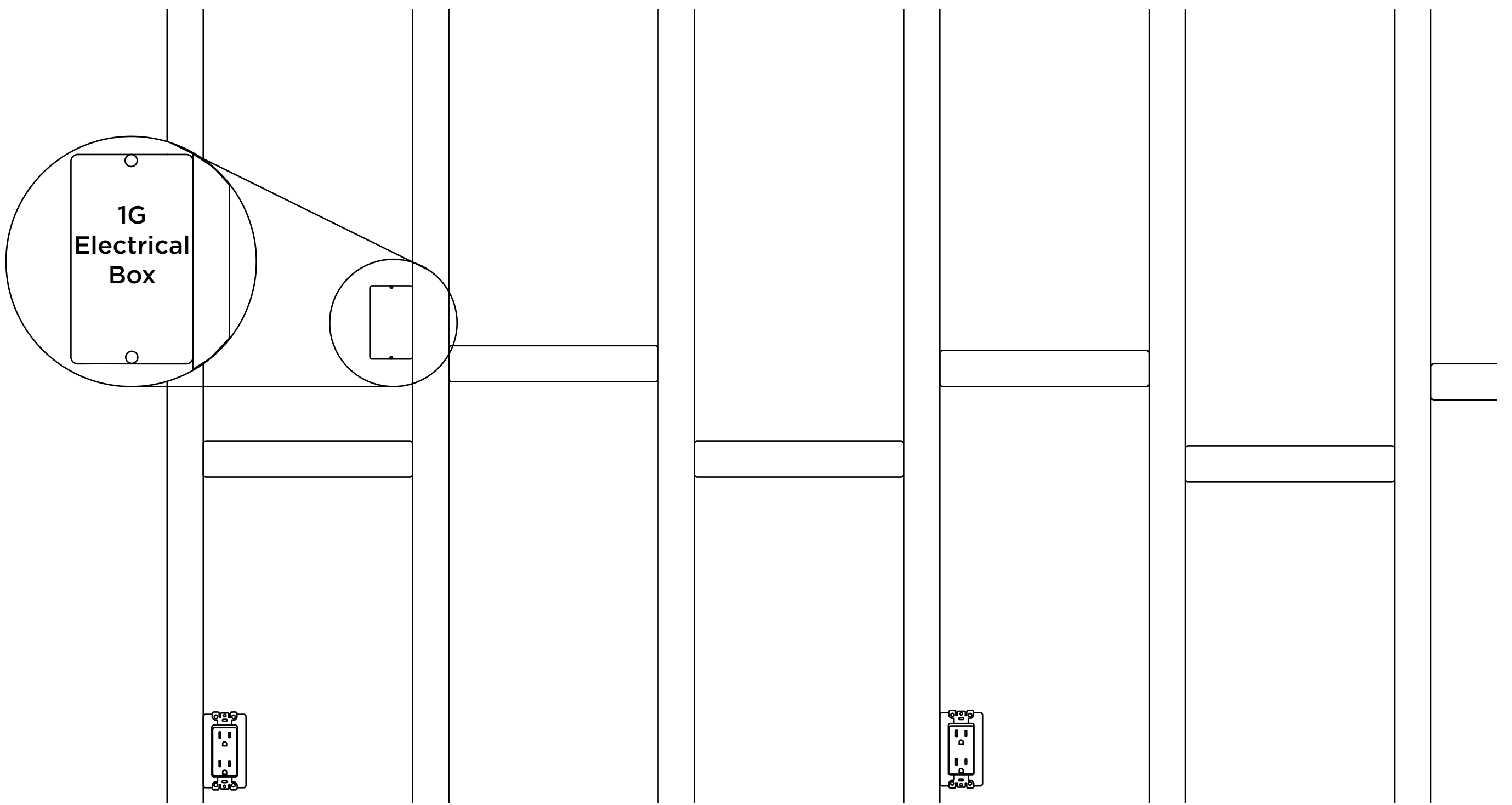


I PORT CONNECT MOUNT

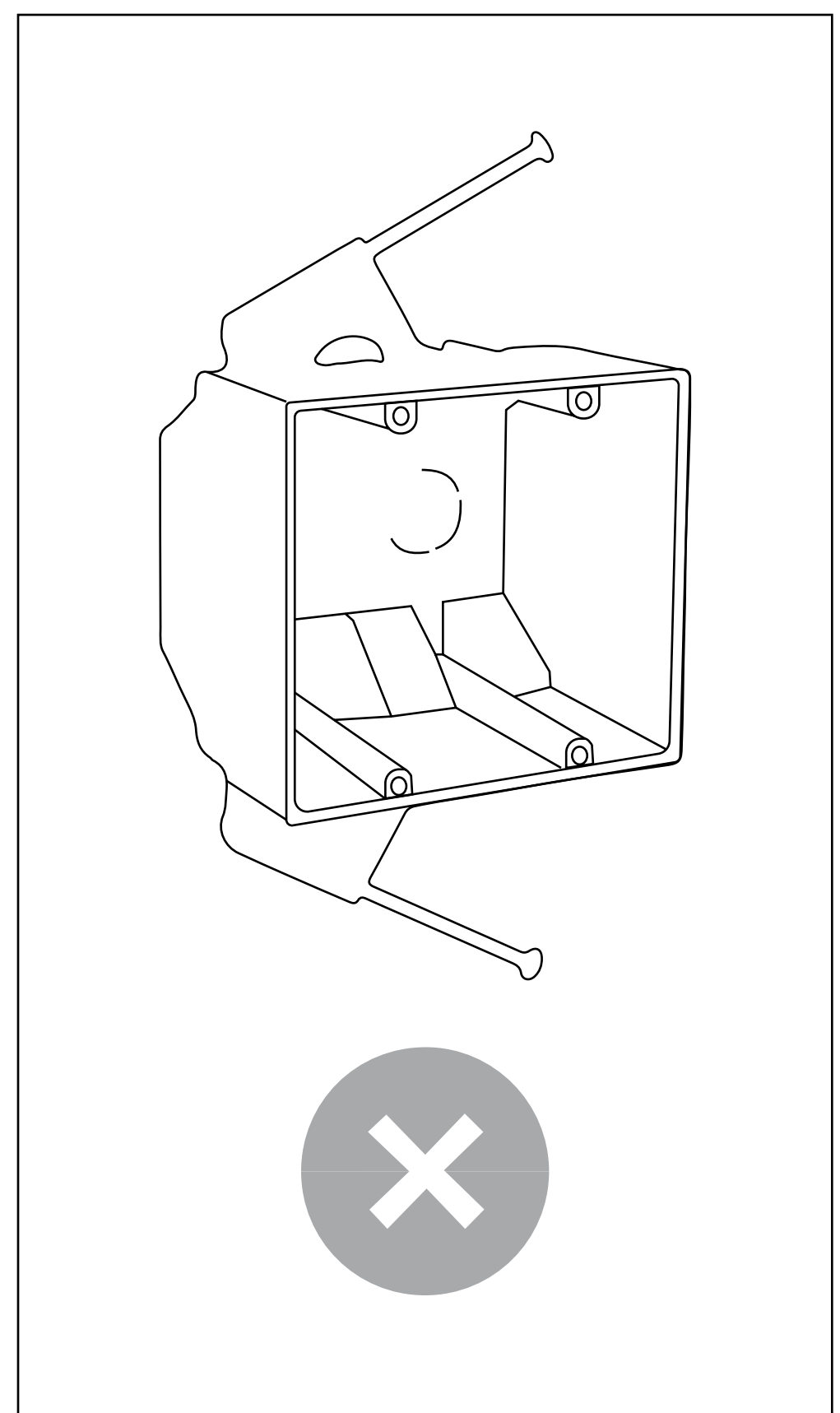
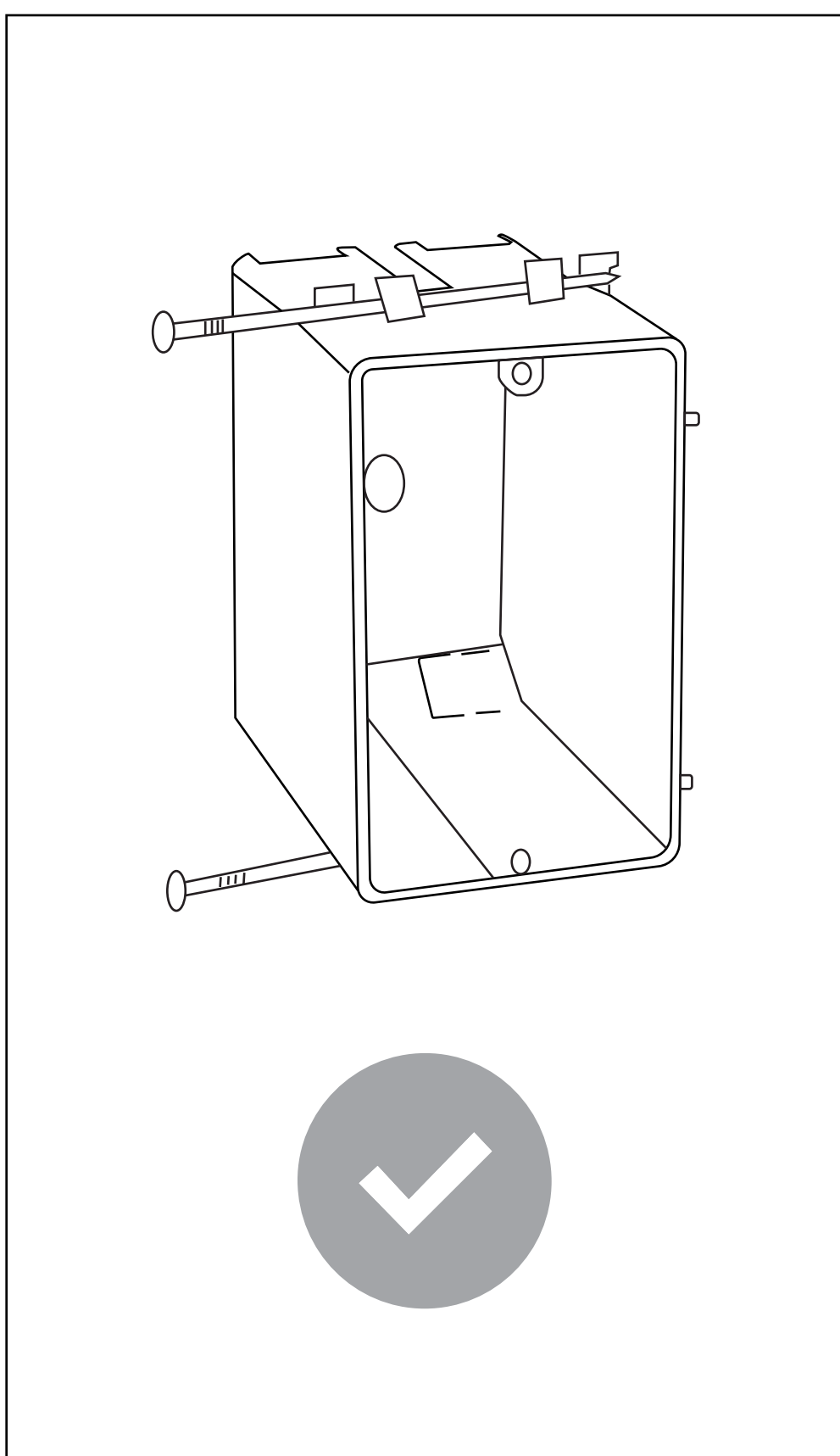
WALLMOUNT

New Constructions Cat6

2. Install a 1 Gang electrical box or low voltage ring in the desired location of the Mount.

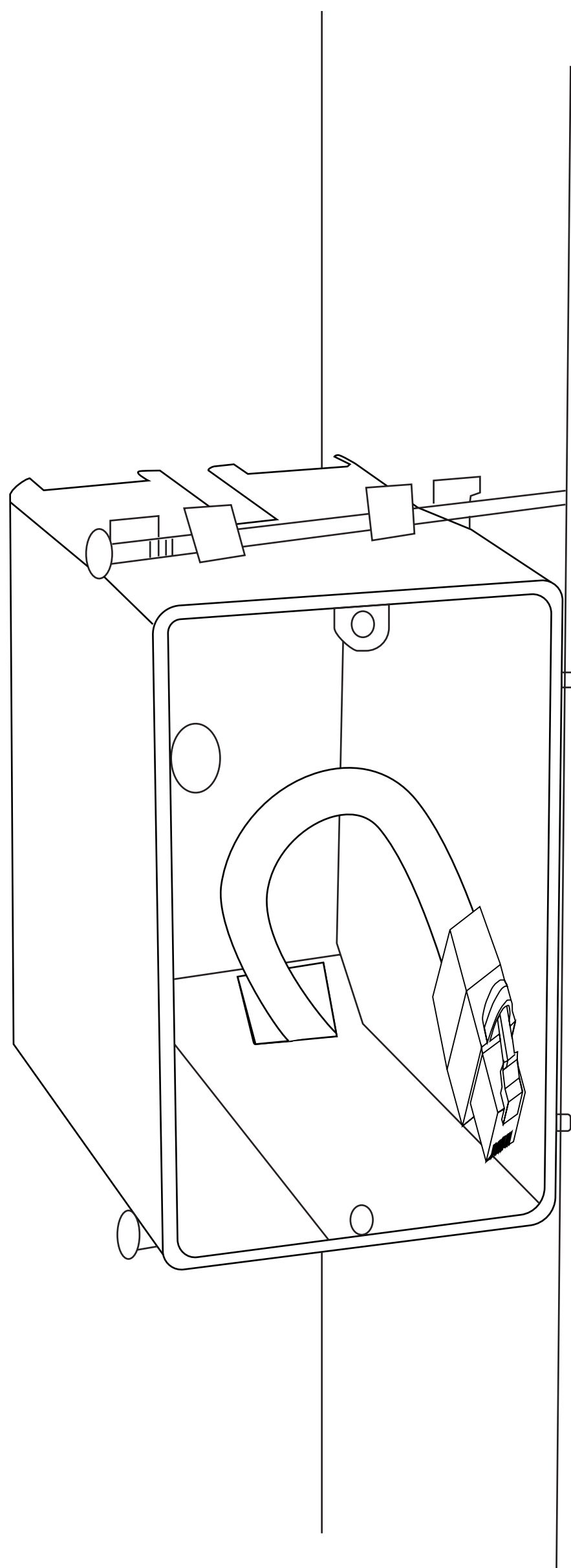


NOTE: The CONNECT WallMount will cover a 1G electrical box only. A 2 Gang electrical box will interfere with the mounting hardware.



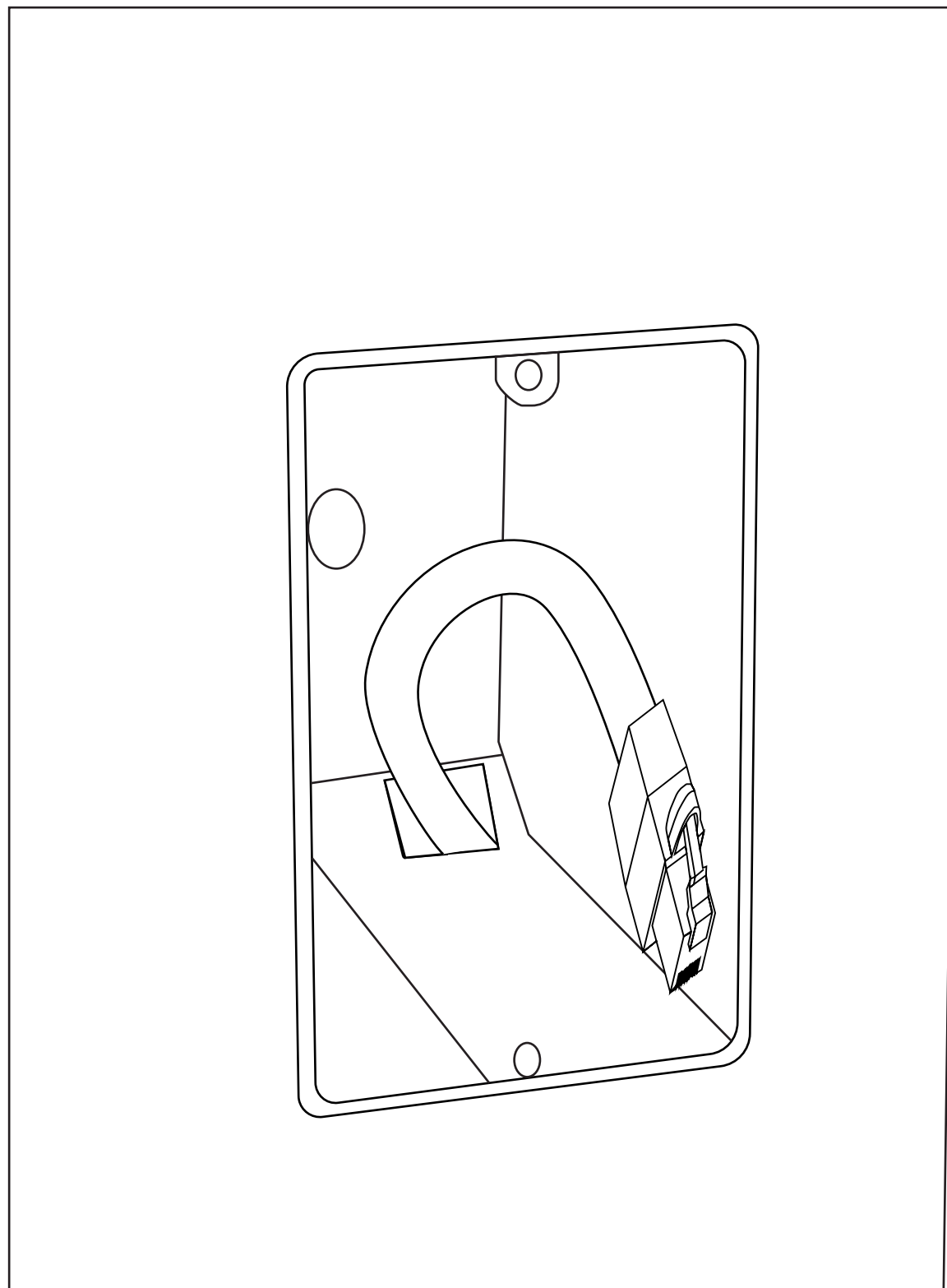
- 3. Run a Cat6 cable terminated with an RJ45 Connectors (T568A or T568B) from the WallMount location to a network rack location and terminate the other end of the cable the same as before.**

NOTE: Make sure to secure the Cat6 cable appropriately onto the Electrical box or Low Voltage ring to retrieve at a later time.

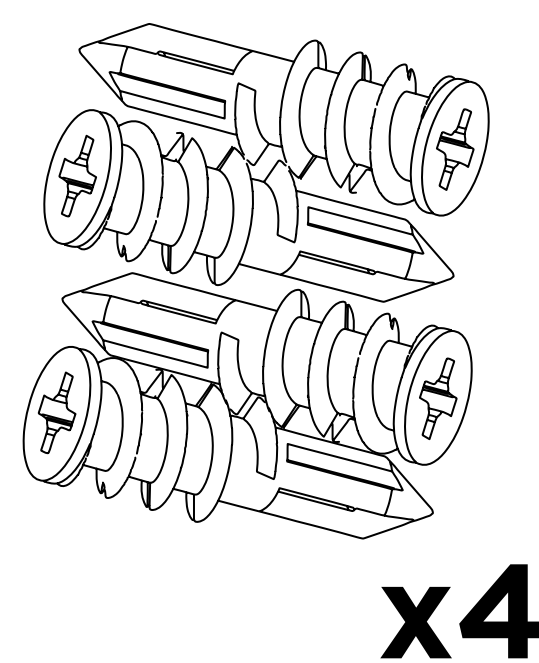
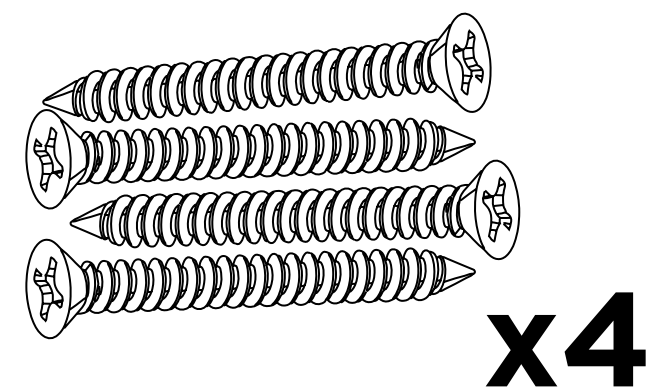
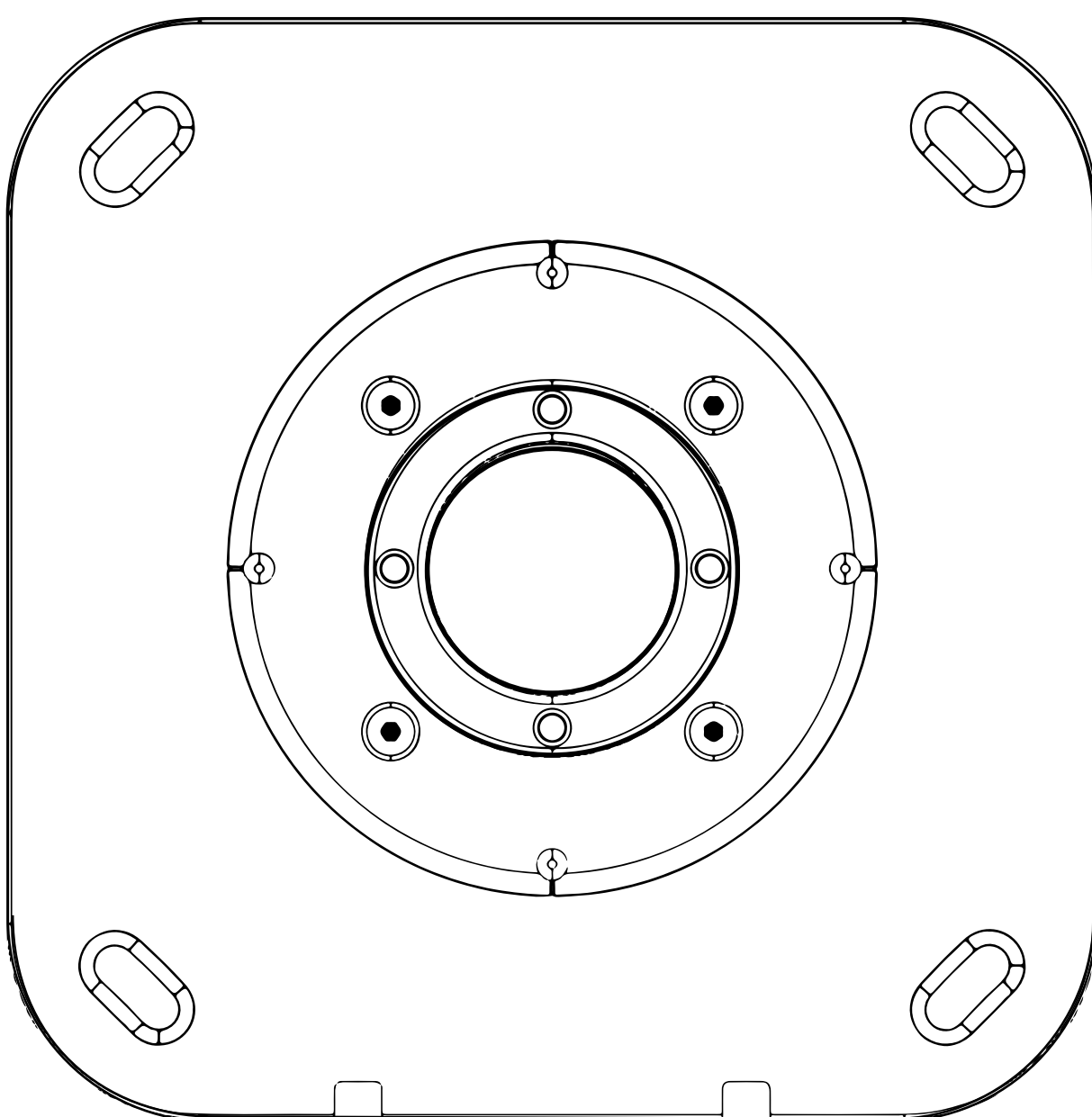


Installing the Mount After Construction

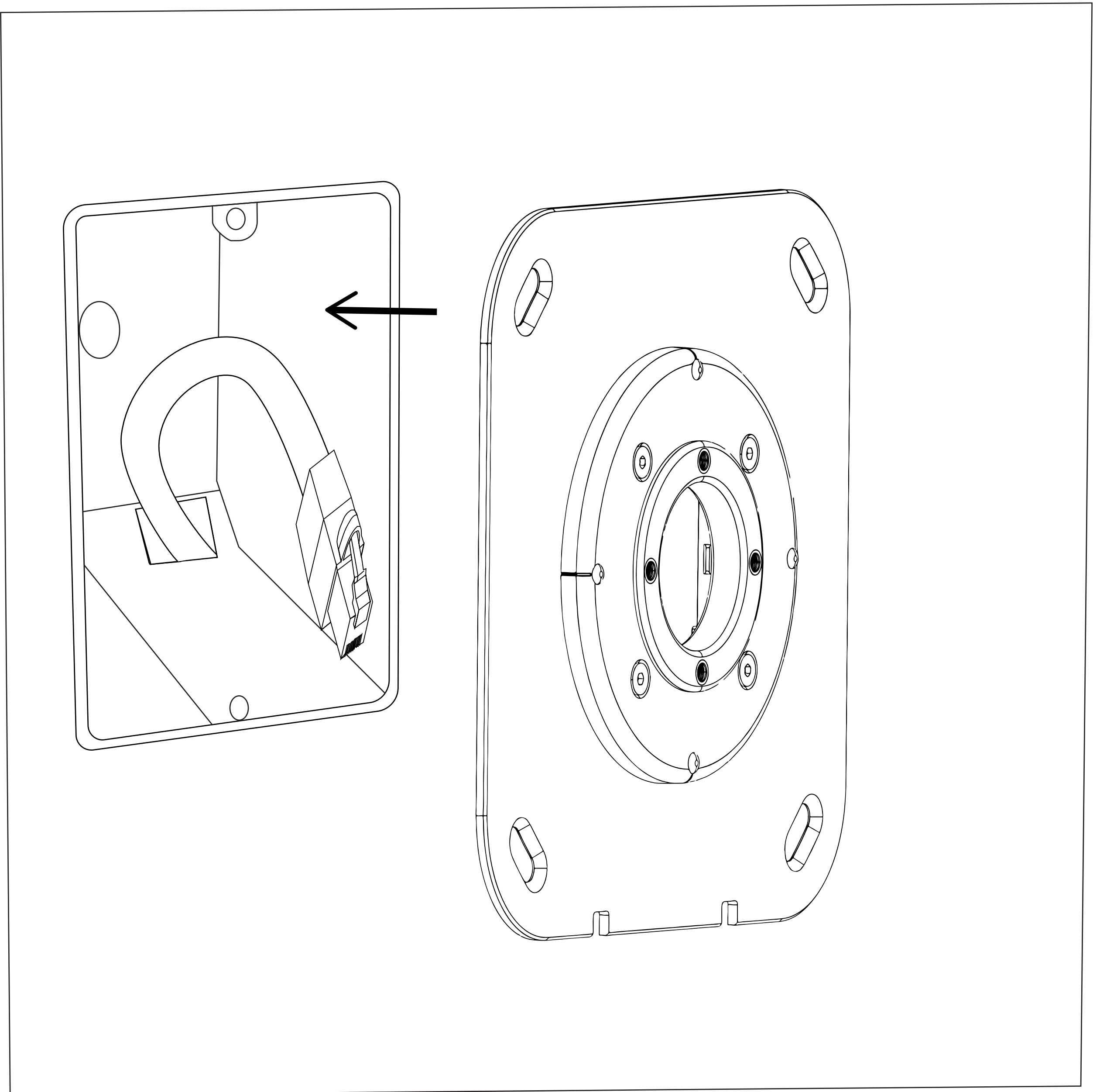
4. **Terminate the Cat6 with an RJ45 Connector if not done so previously using T568A or T568B standards.**



5. **Remove the Mount, Drywall anchors and Screws from the box and place on a table.**



6. Insert the WallMount over the 1G box.

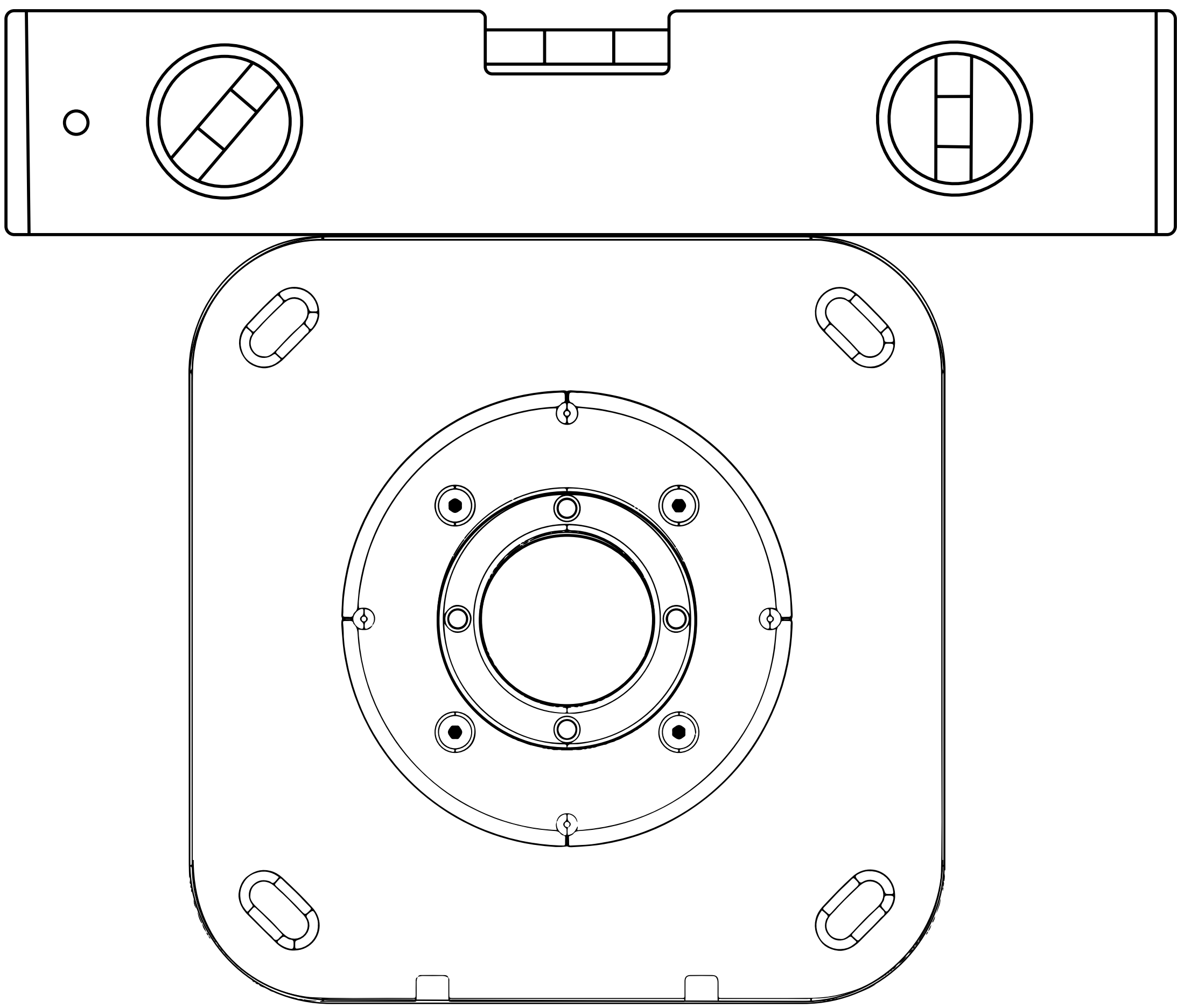


I PORT CONNECT MOUNT

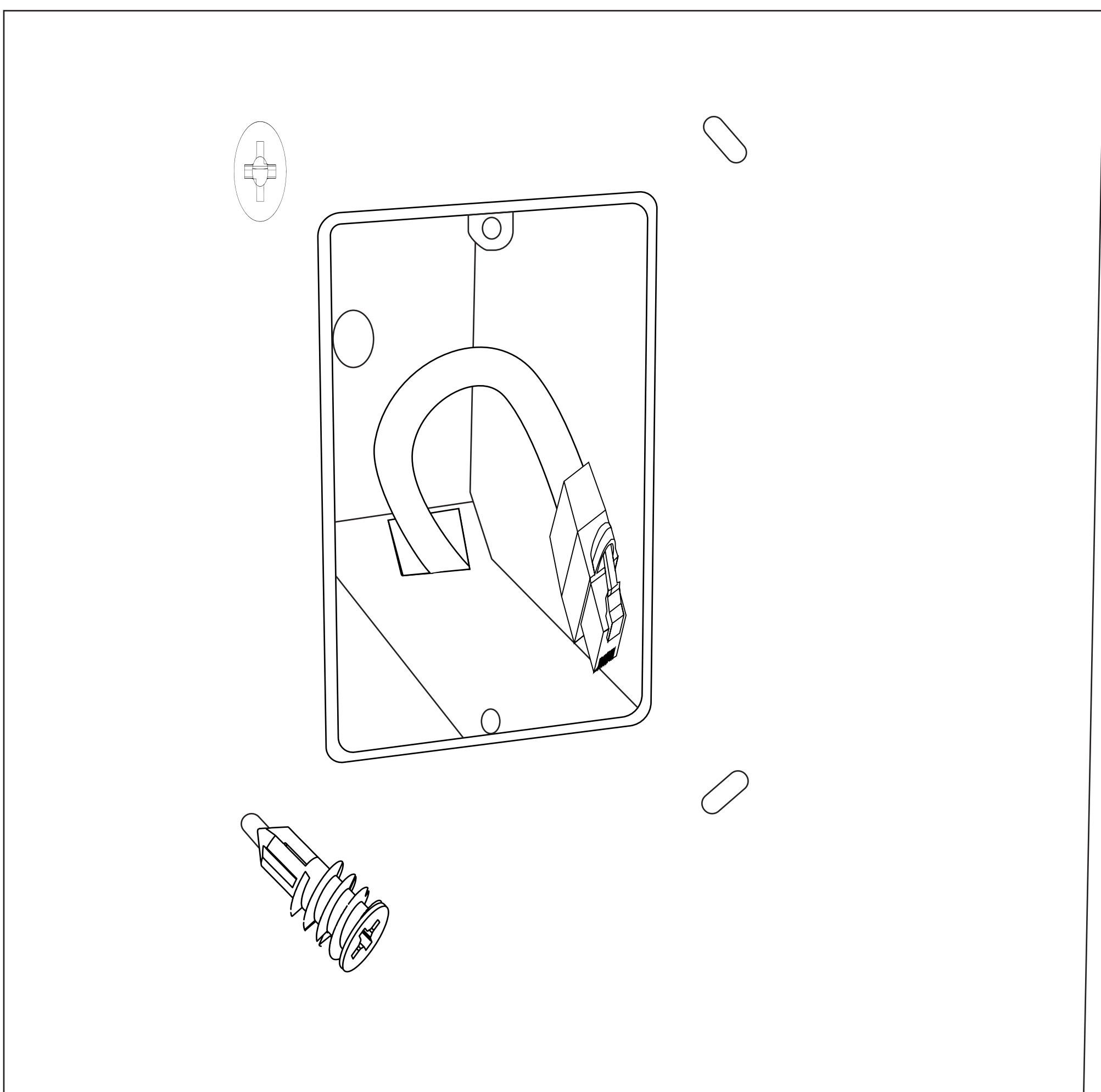
WALLMOUNT

New Constructions Cat6

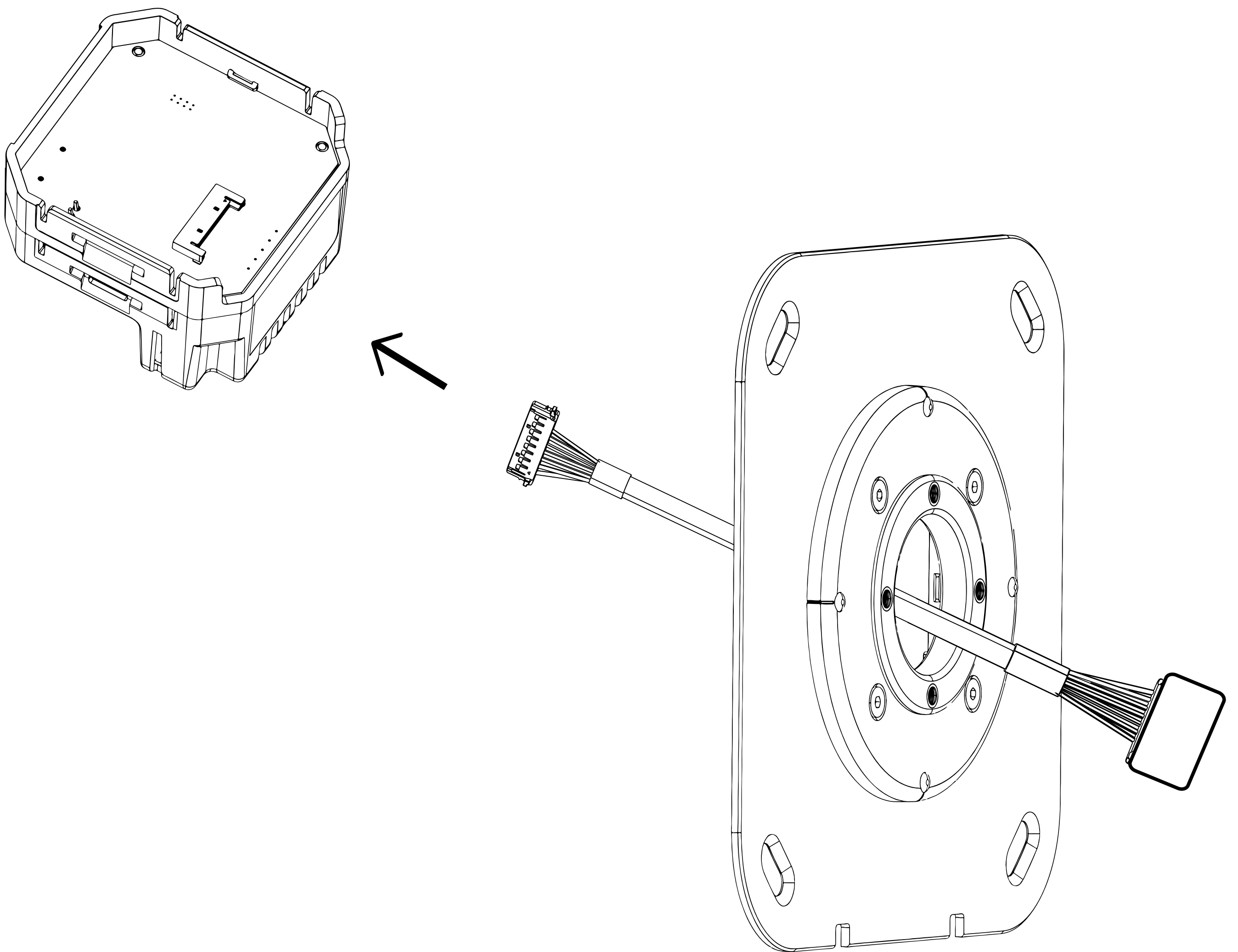
7. Use a leveling tool to level the Wall Mount and mark the 4 locations for the provided anchors. Remove the WallMount from the 1G Box.



8. Screw the 4 provided anchors into the wall where marked.



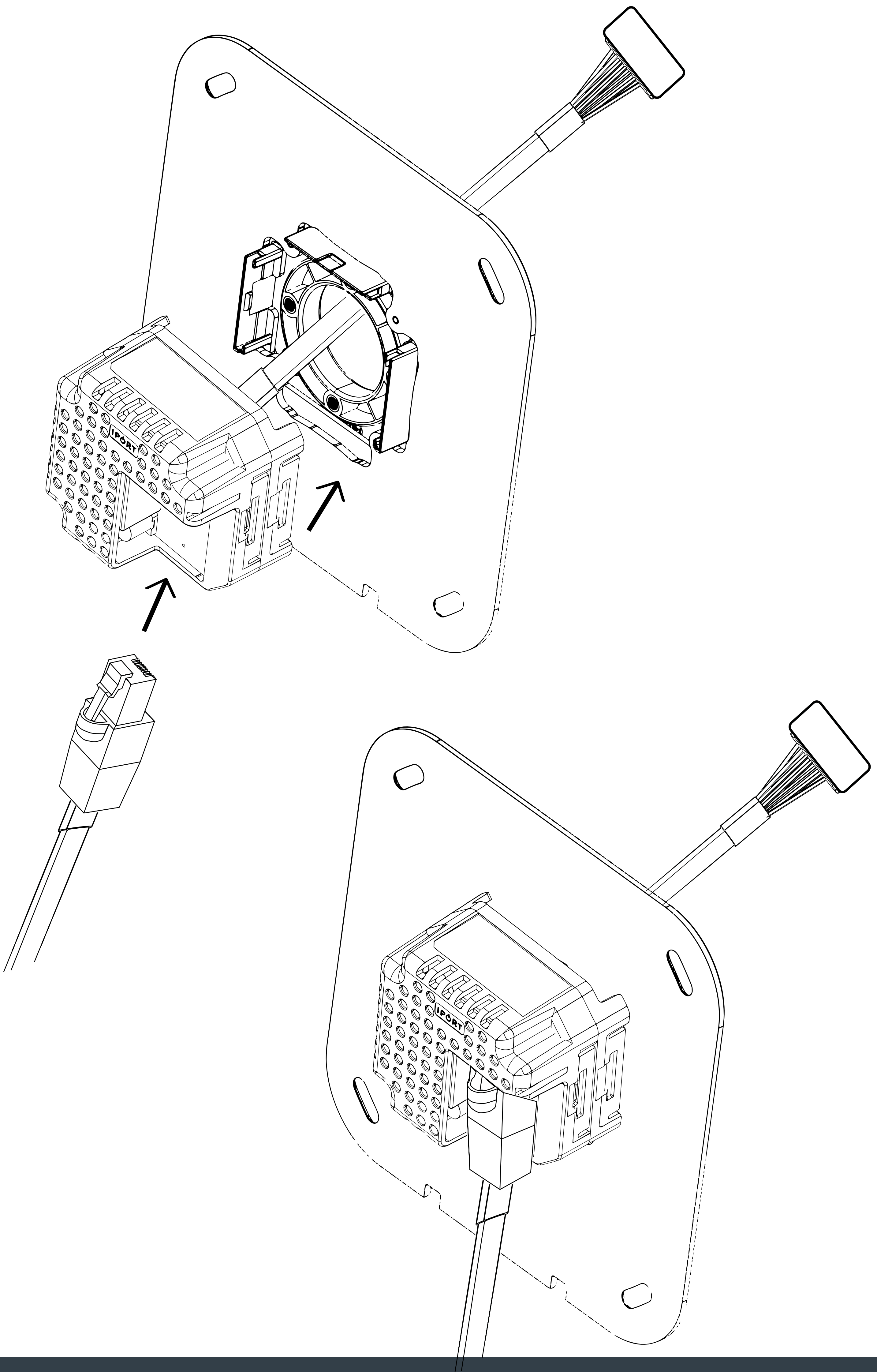
- 9. Connect the Molex Extension Cable to the PoE+ Network adapter making sure the gold pins are facing away from the molex connector.**
- 10. Feed the cable through the hole in the mount.**



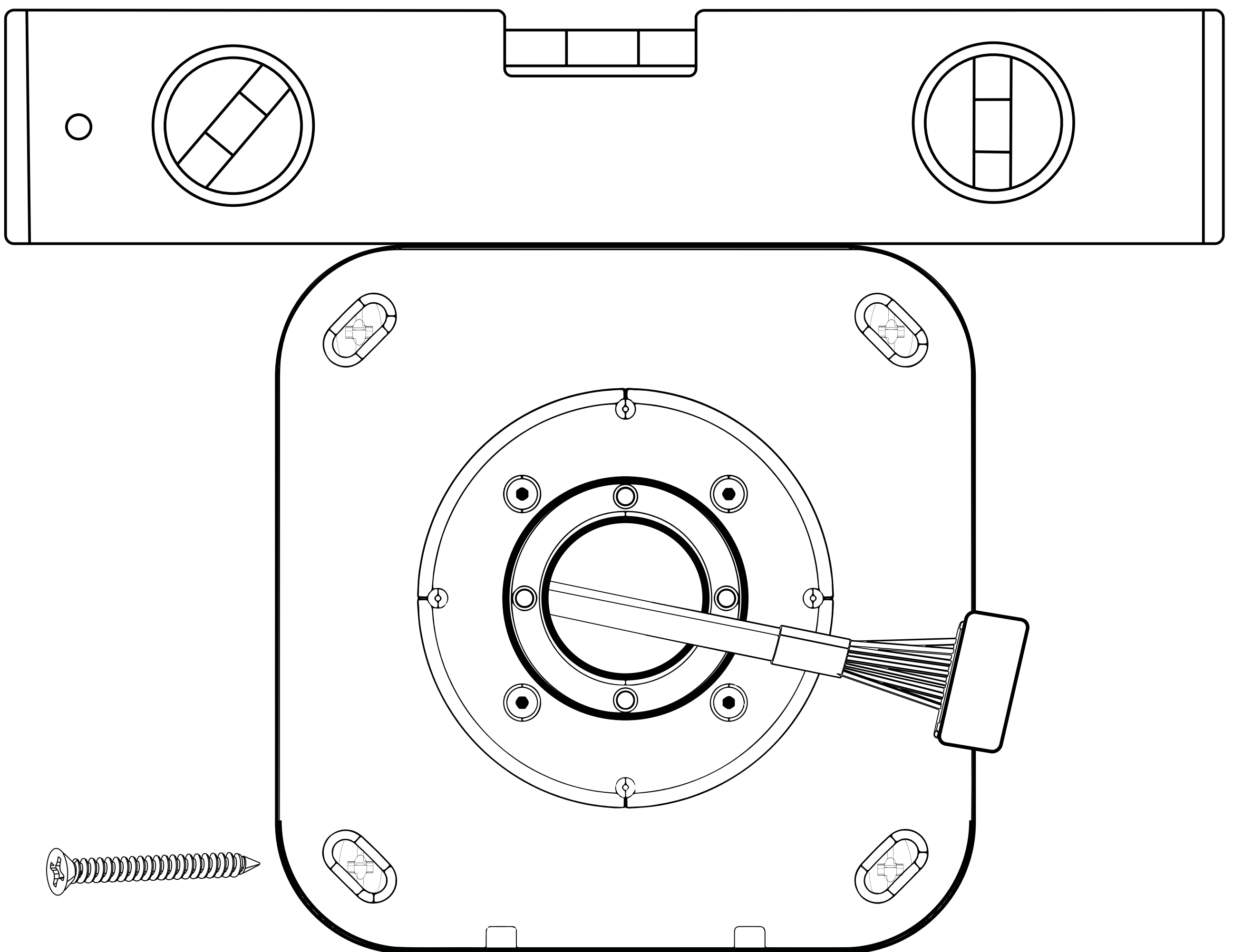
I PORT CONNECT MOUNT

WALLMOUNT

- 11. Connect the Cat6 Cable to the Network Adapter and attach the Network Adapter onto the Connect Mount.**



- 12. Insert the Mount back into the 1G box and use the provided screws to attach the Mount to the wall making sure to level the mount before tightening the screws.**

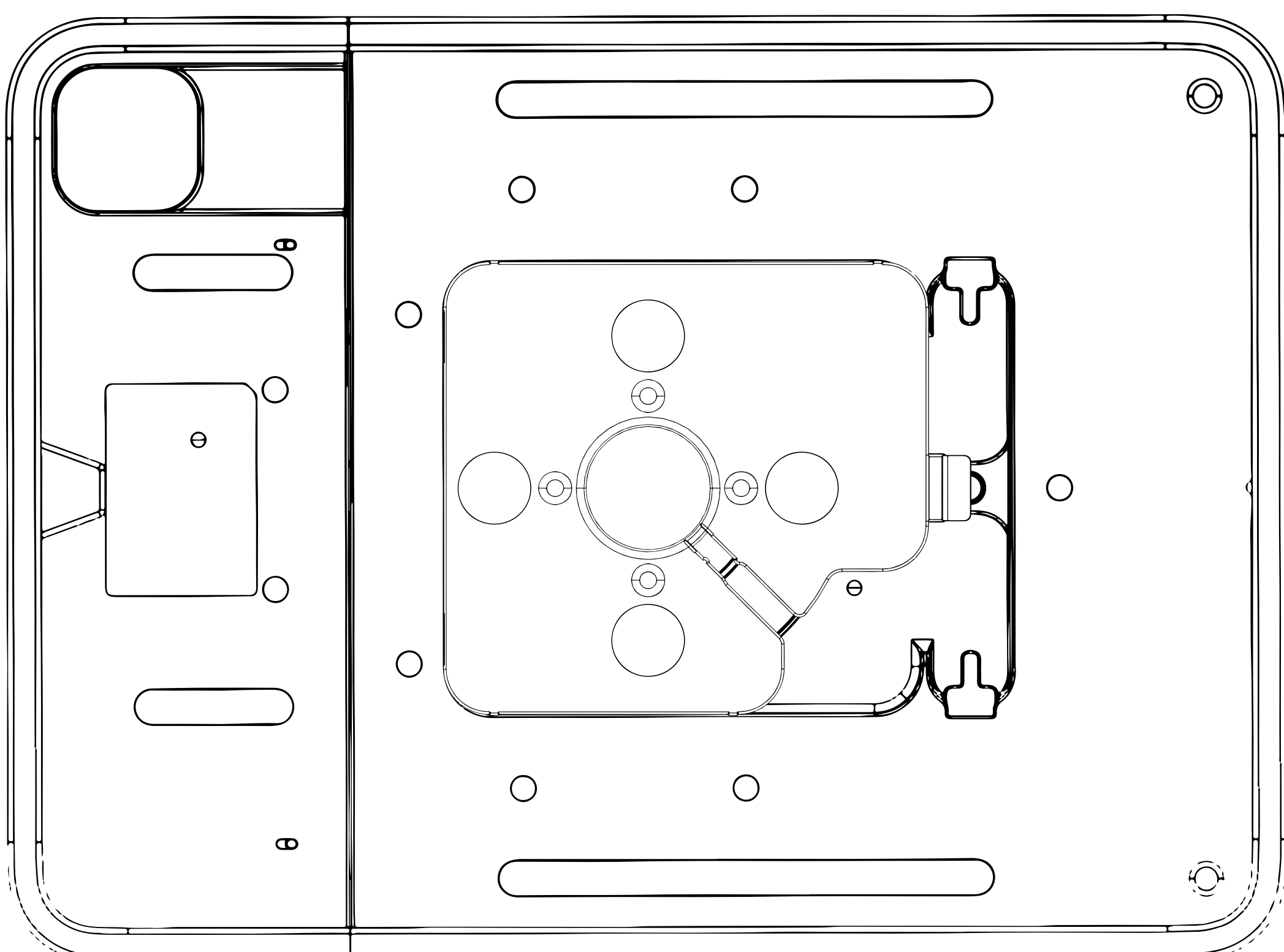
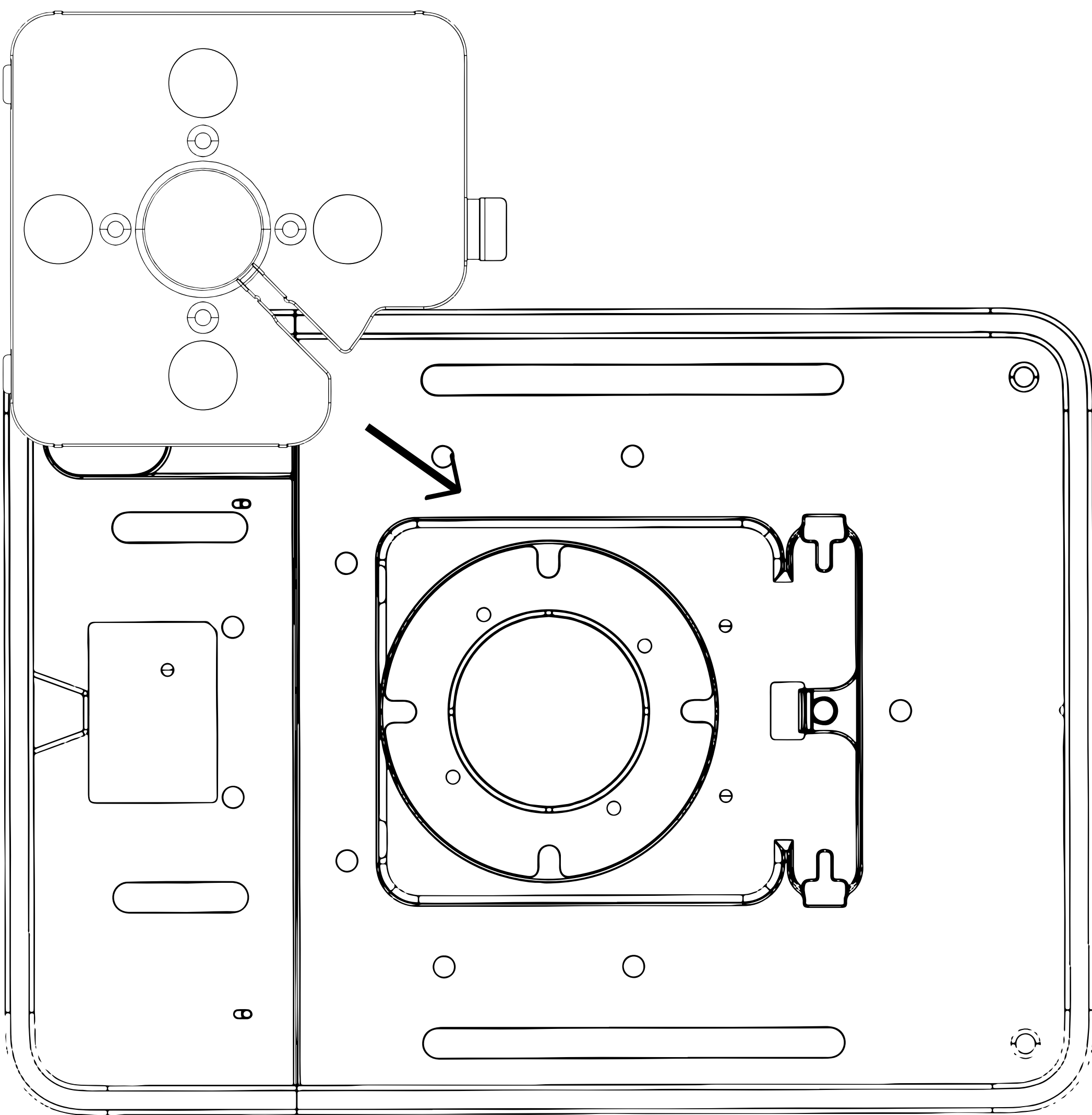


I PORT CONNECT MOUNT

WALLMOUNT

New Constructions Cat6

13. Insert the **CONNECT** mounting bracket into the **CONNECT CASE** making sure the bracket snaps into place securely.

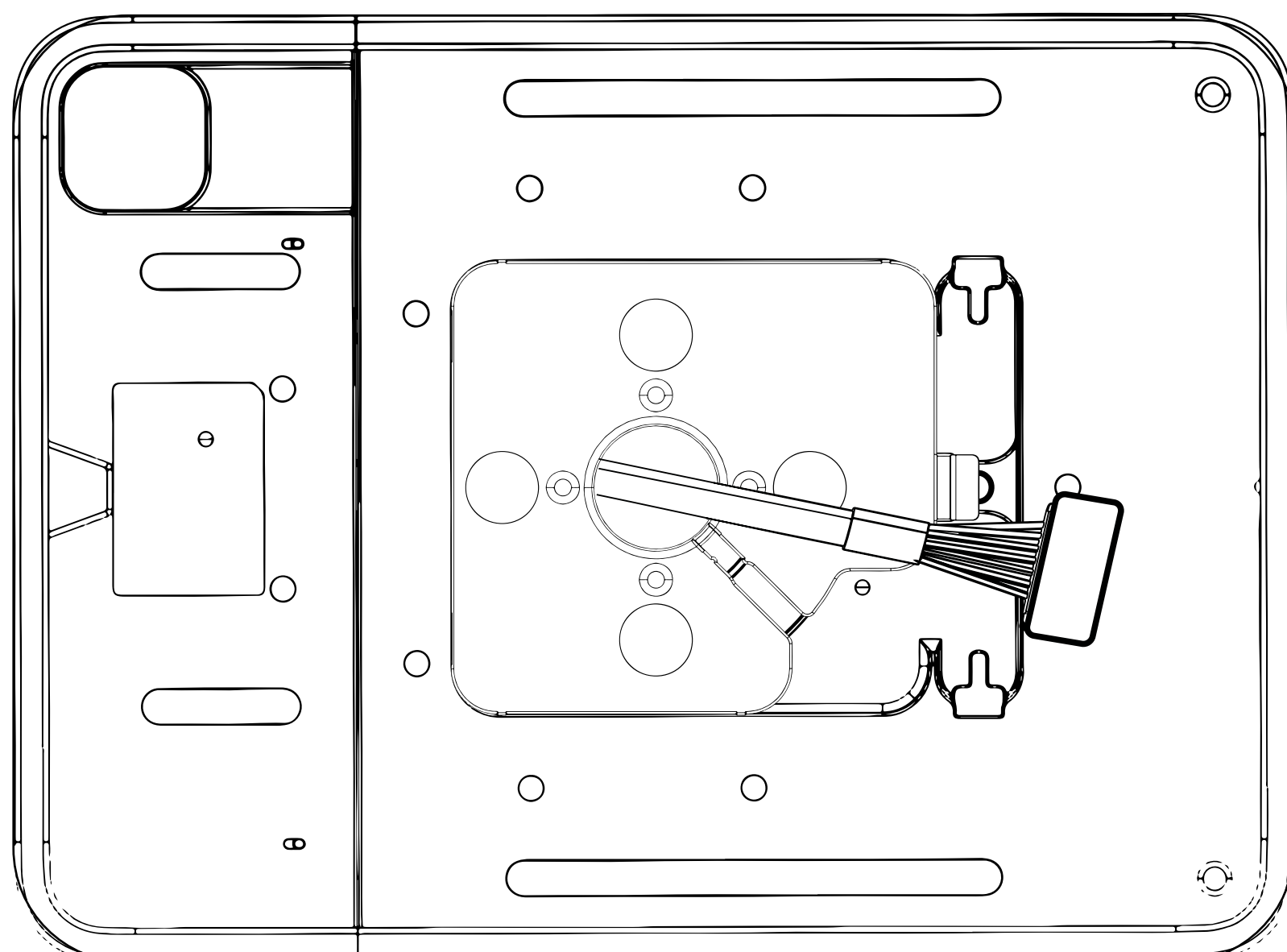
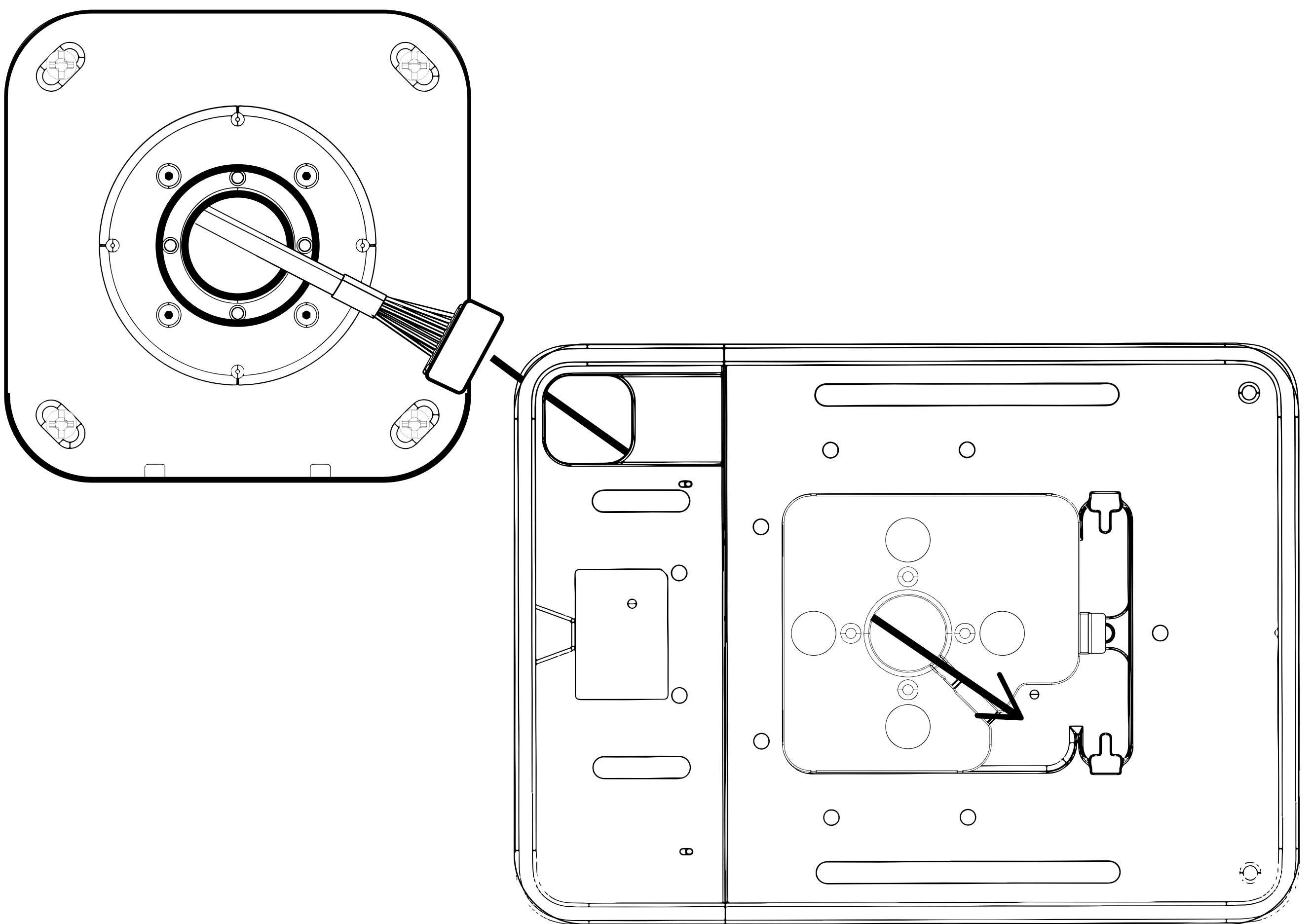


I PORT CONNECT MOUNT

WALLMOUNT

New Constructions Cat6

- 14. Place the Case onto the MOUNT in the desired portrait or landscape orientation. Feed the IPORT Molex cable through the center of the mounting bracket.**

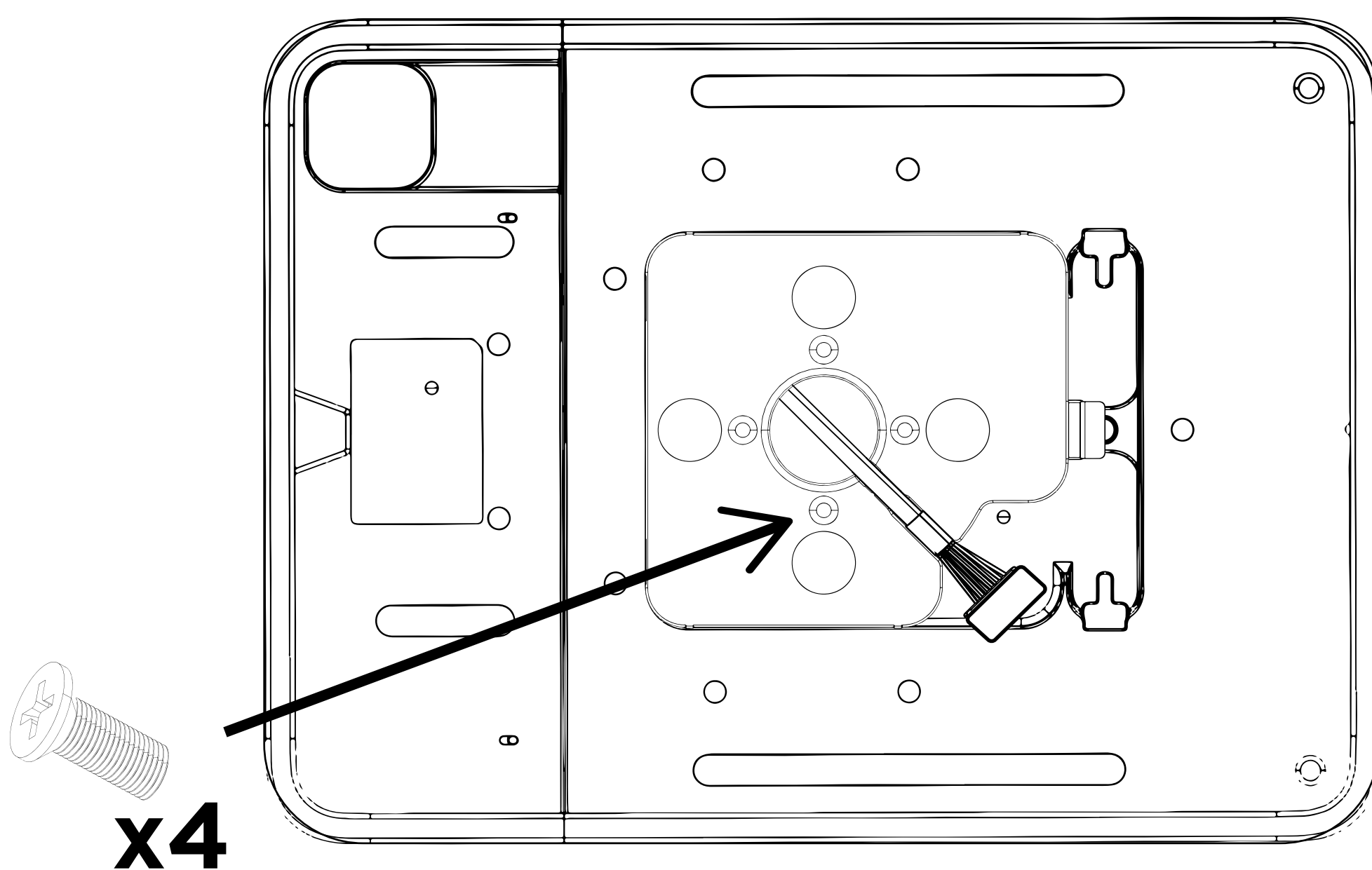


I PORT CONNECT MOUNT

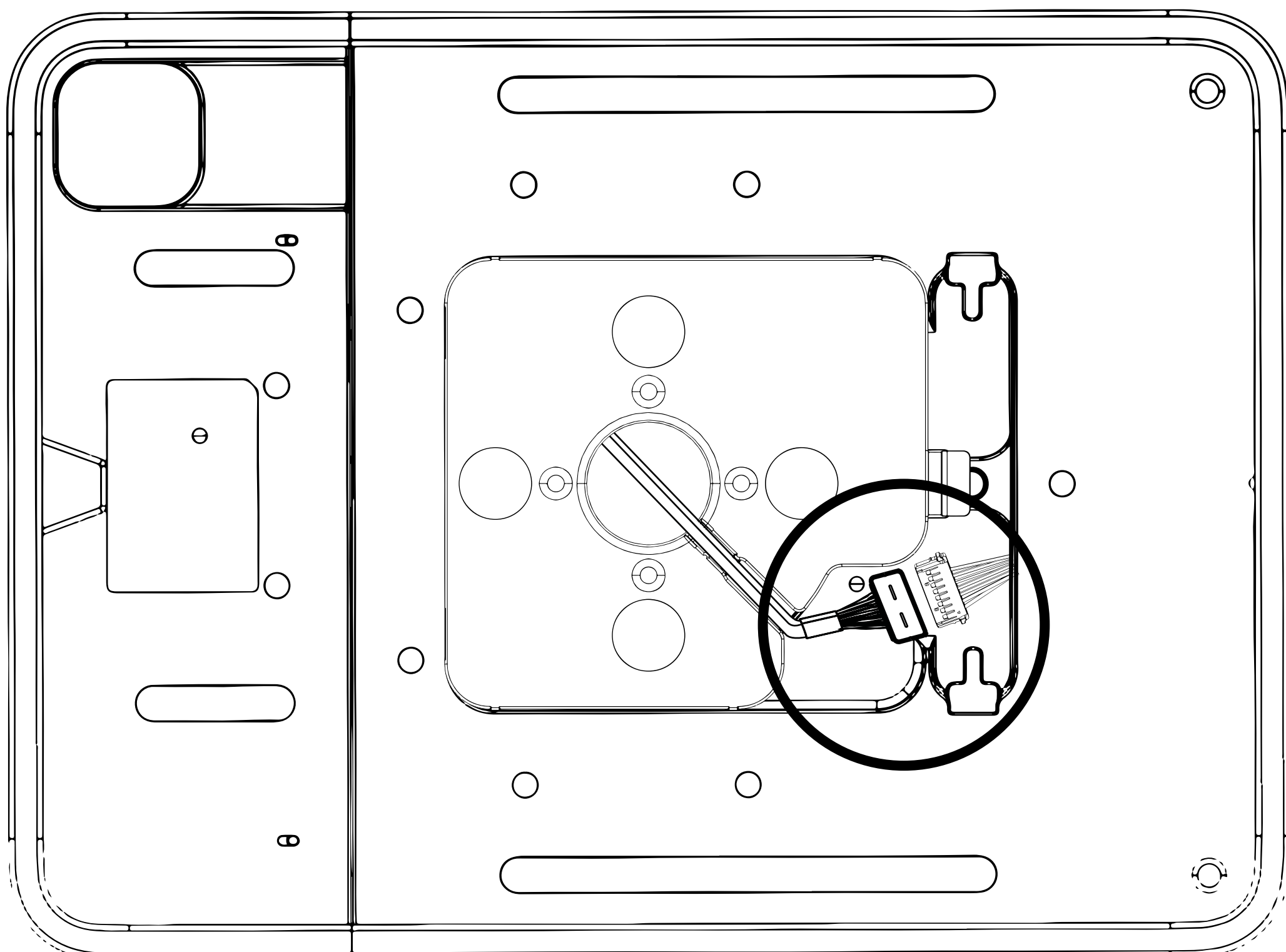
WALLMOUNT

New Constructions Cat6

15. Use the provided 4 machine screws to attach the Mounting Bracket to the CONNECT Mount Bracket.



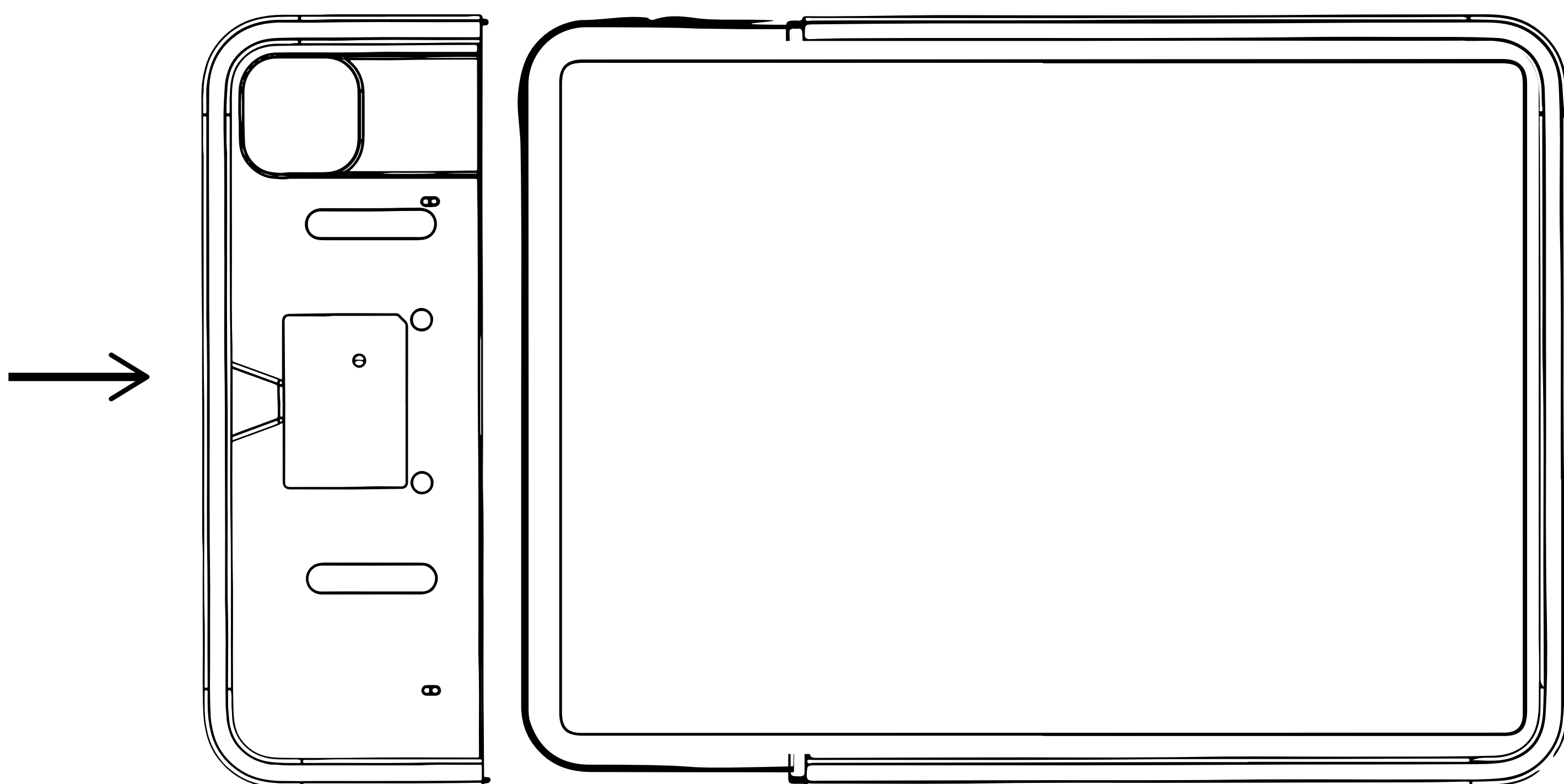
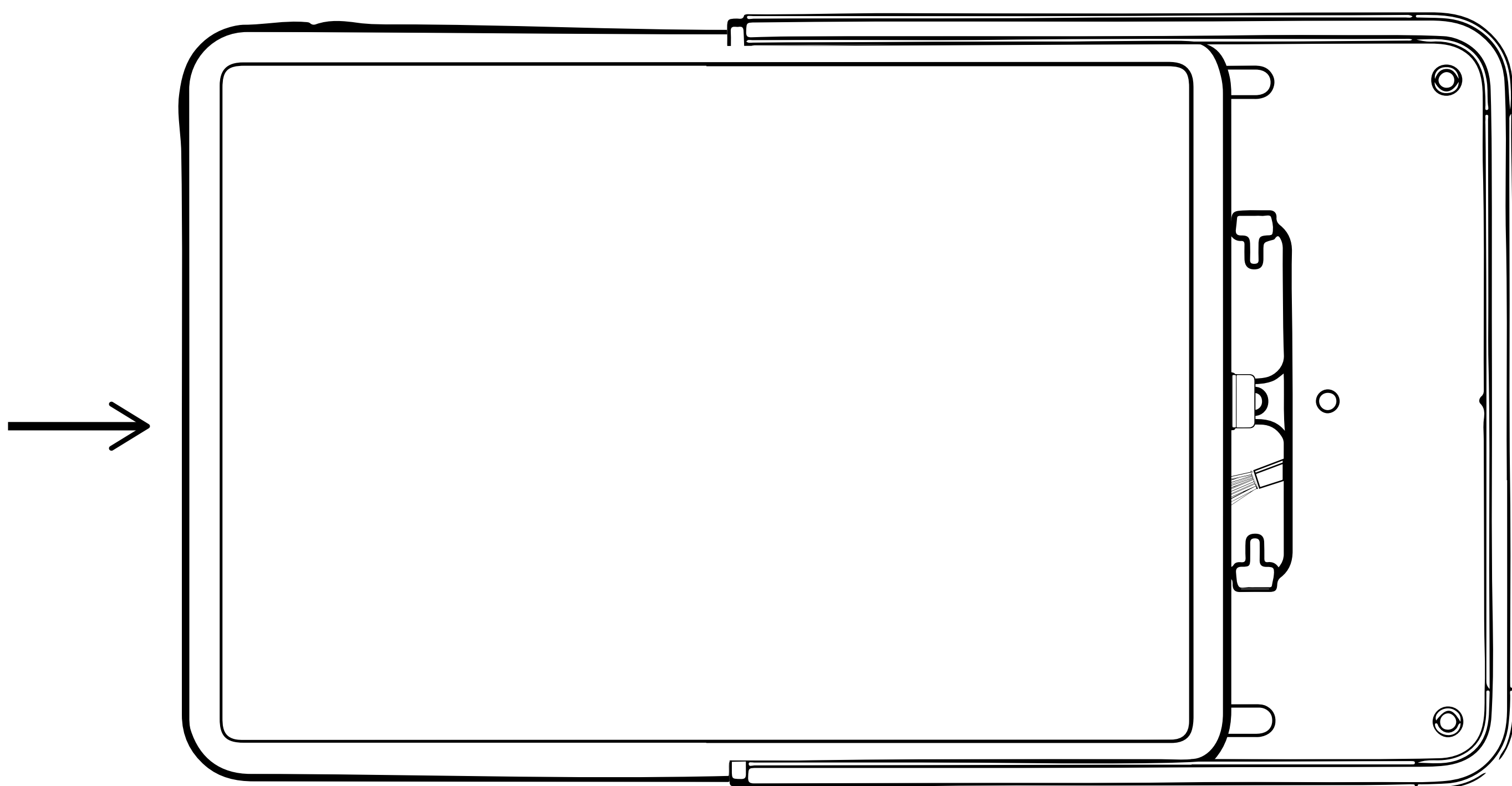
16. Plug the molex connector from the Mount into the cable on the CONNECT CASE. Note the gold pins are facing outward when connecting into the Mount cable. Press the Mount cable into the channel to hold and secure the cable out of the way of the iPad.



I PORT CONNECT MOUNT

WALLMOUNT

- 17. Insert the iPad into the attached Case and install the top onto the Case.**

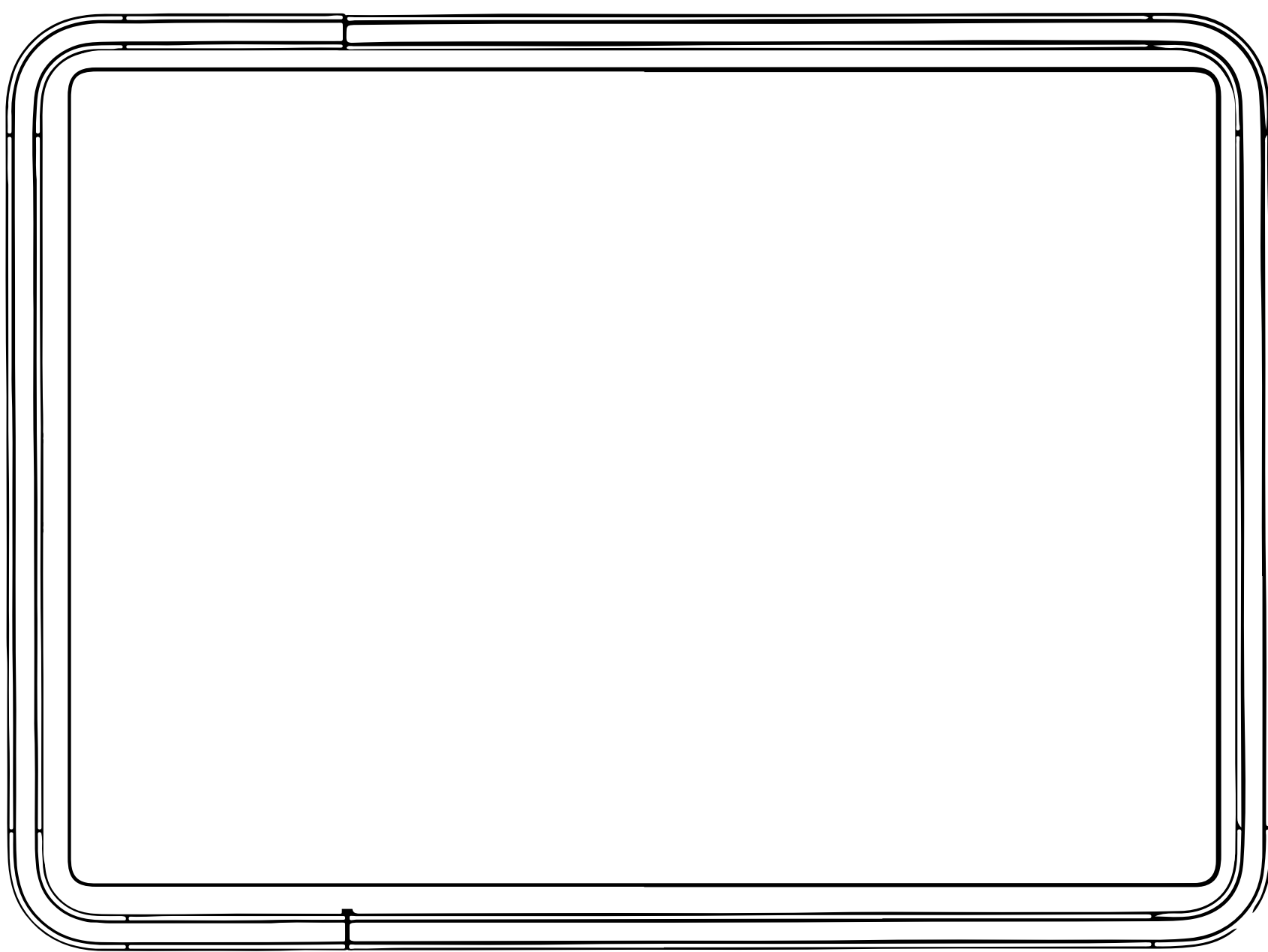
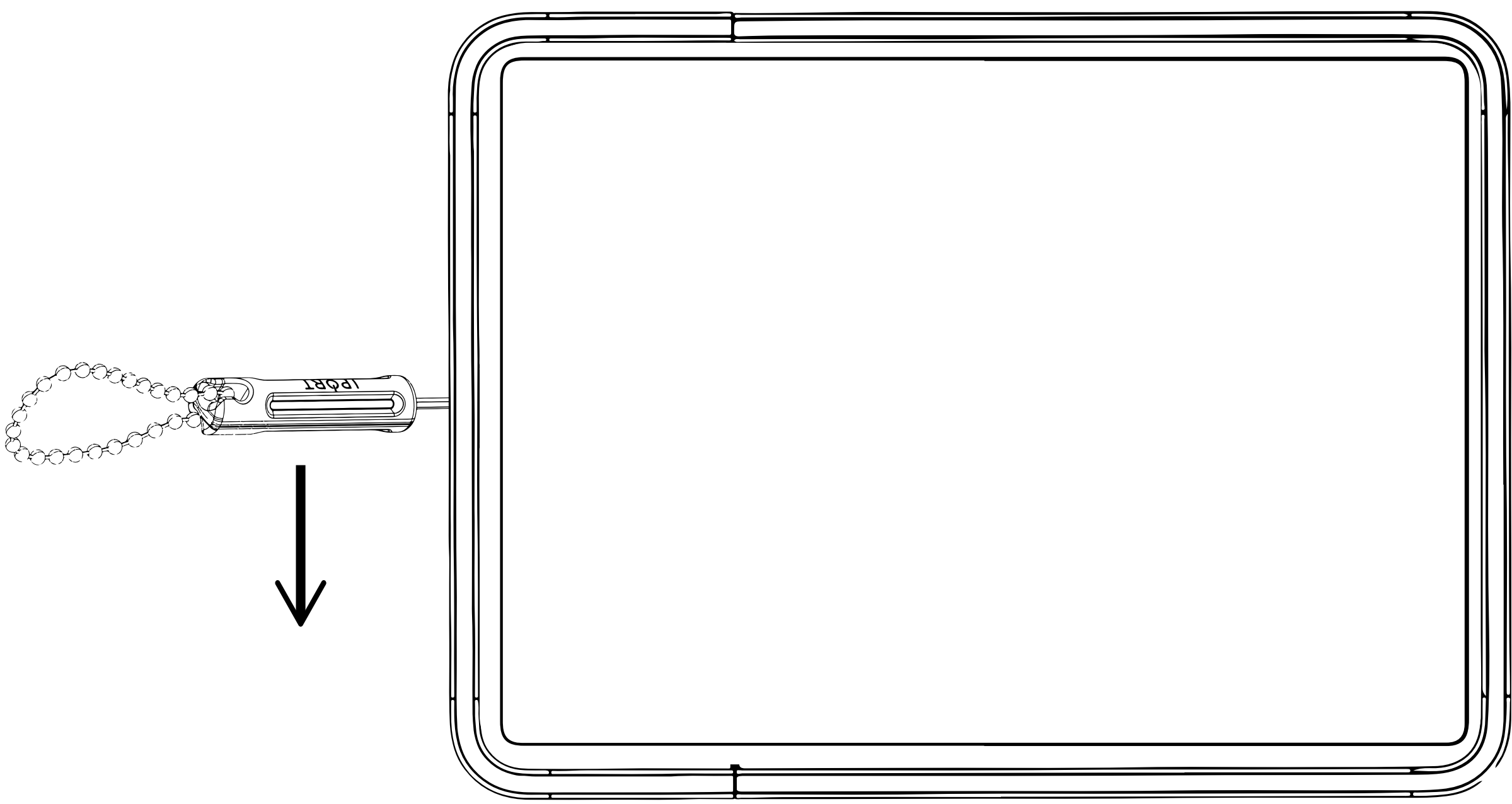


I PORT CONNECT MOUNT

WALLMOUNT

New Constructions Cat6

18. Use the provided IPORT Security tool to lock the Case top onto the Case securing the iPad.

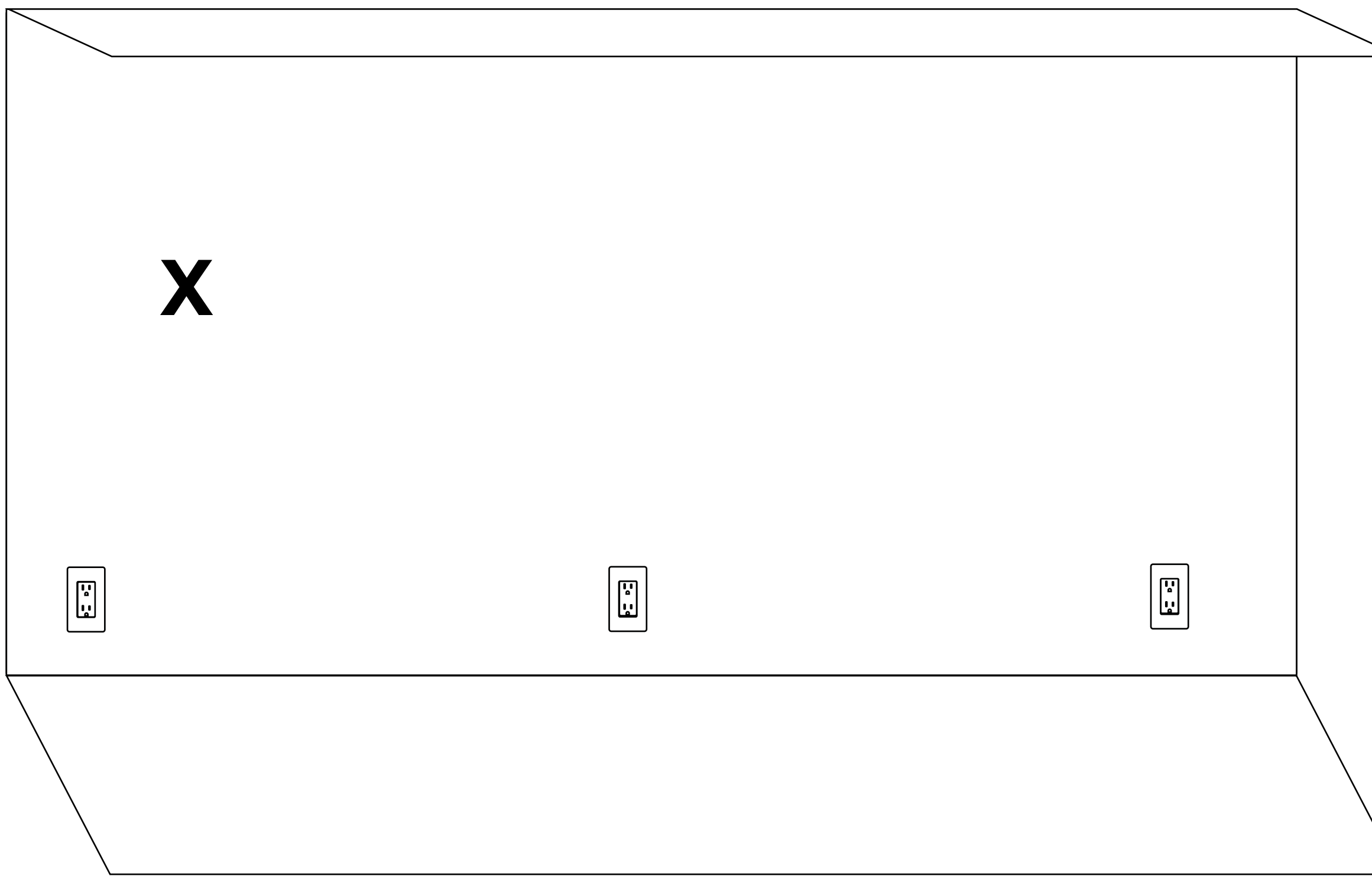


COMPLETE

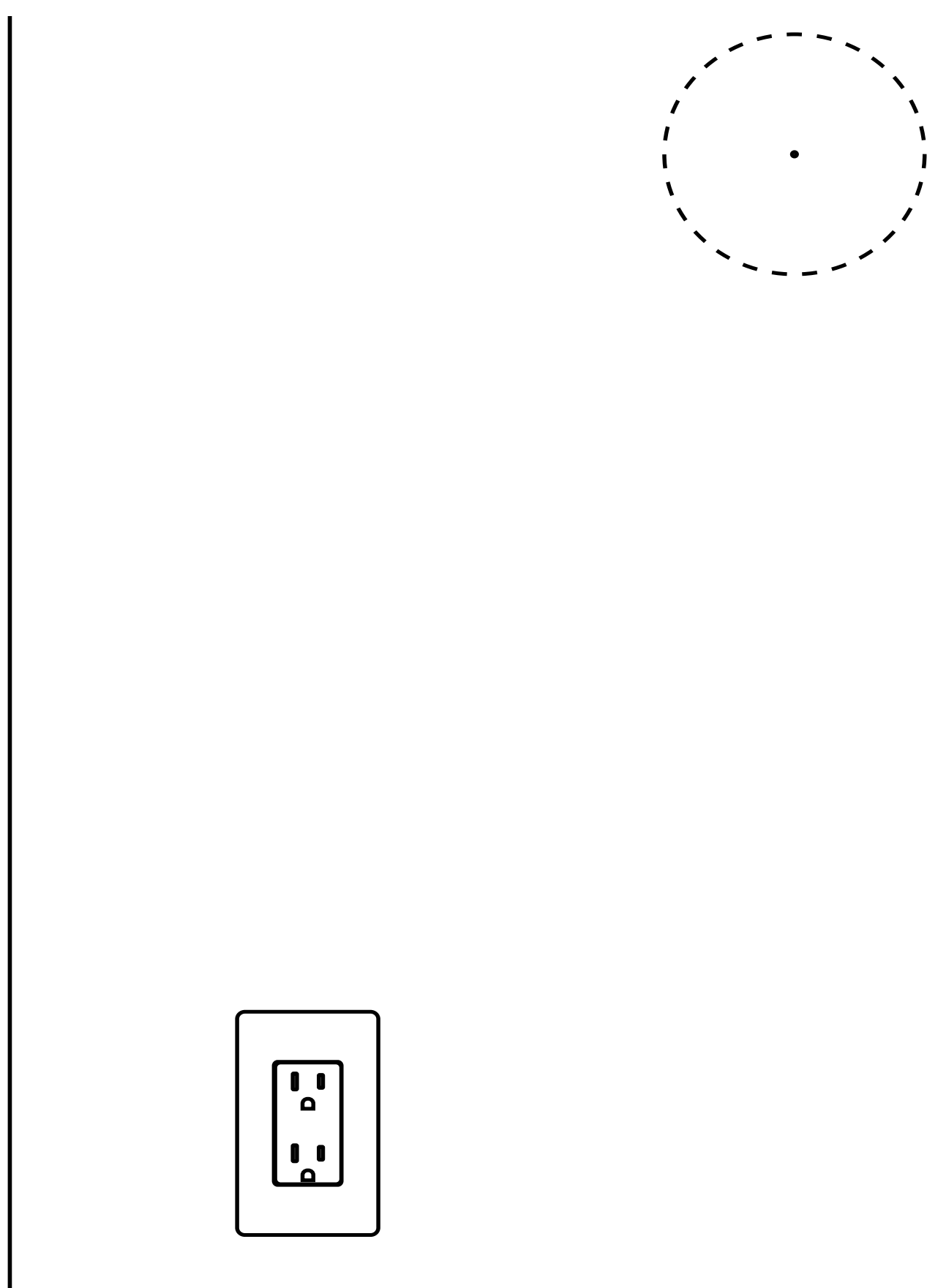
WALLMOUNT

Installing the Mount in Existing Construction - Cat6

- 1. Determine the desired location of the IPORT CONNECT WallMount.**



- 2. Use a 2-3/4" (70mm) hole saw to cut a hole in the desired location of the Wall Mount.**

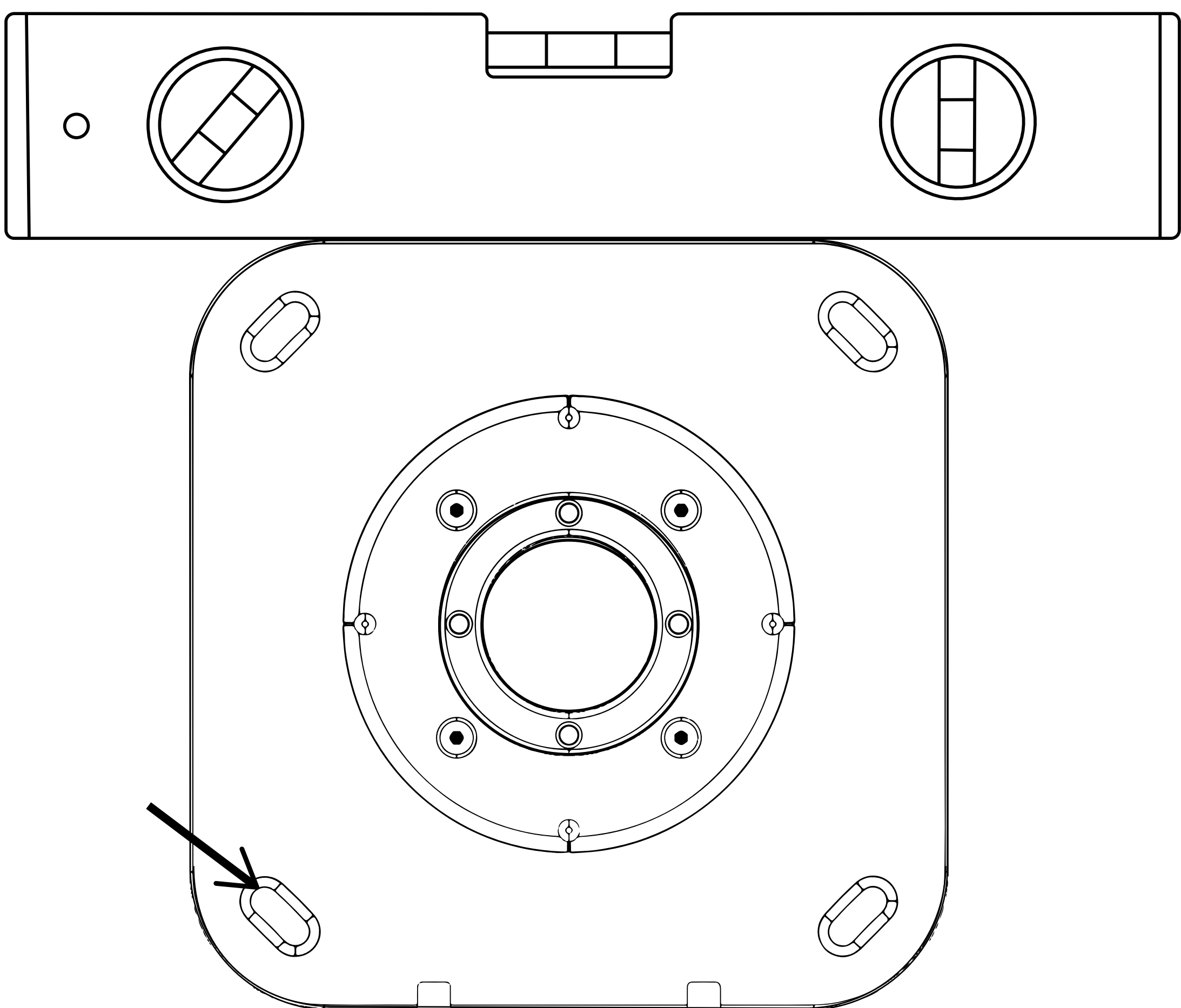


I PORT CONNECT MOUNT

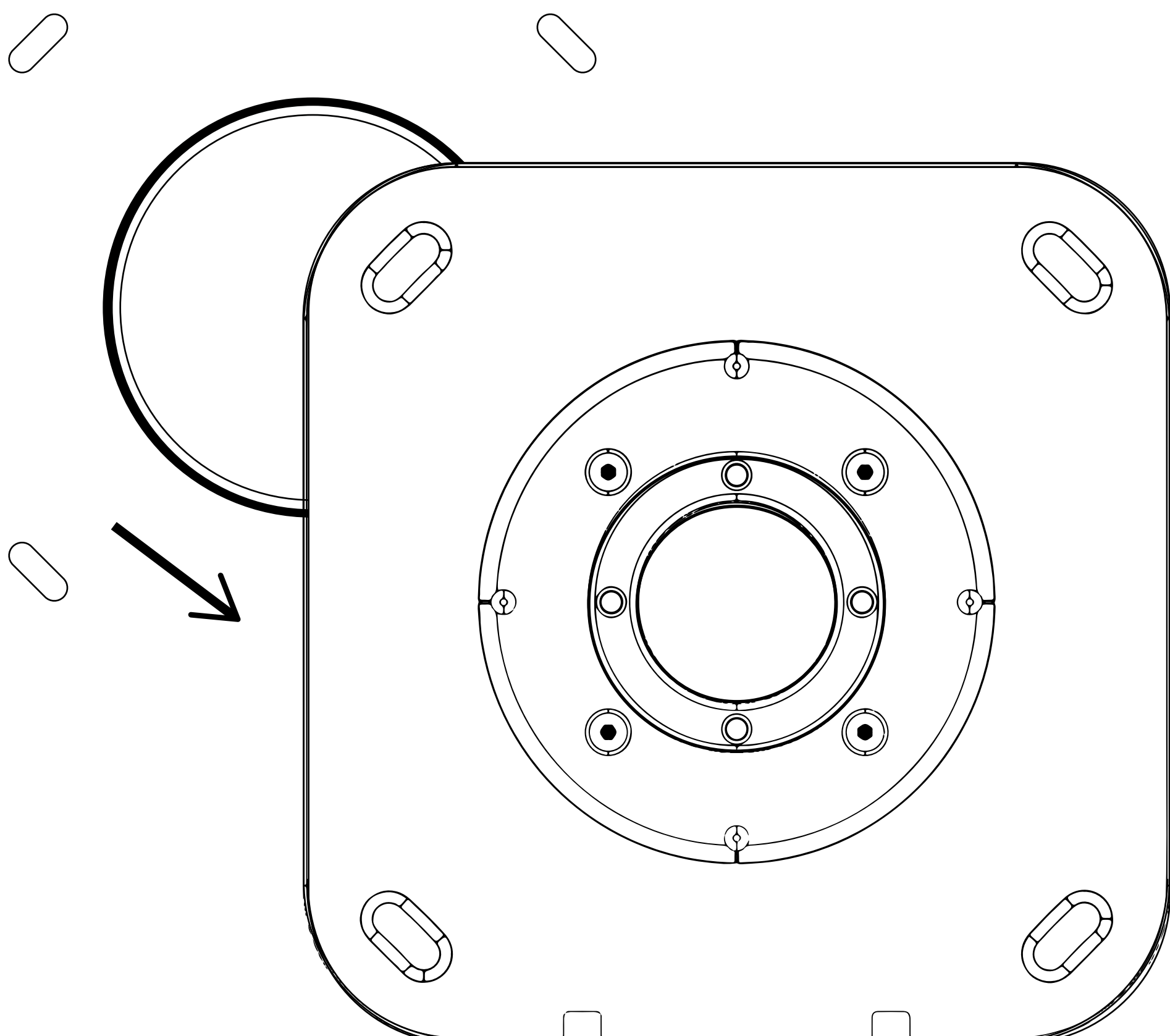
WALLMOUNT

Existing Constructions Cat6

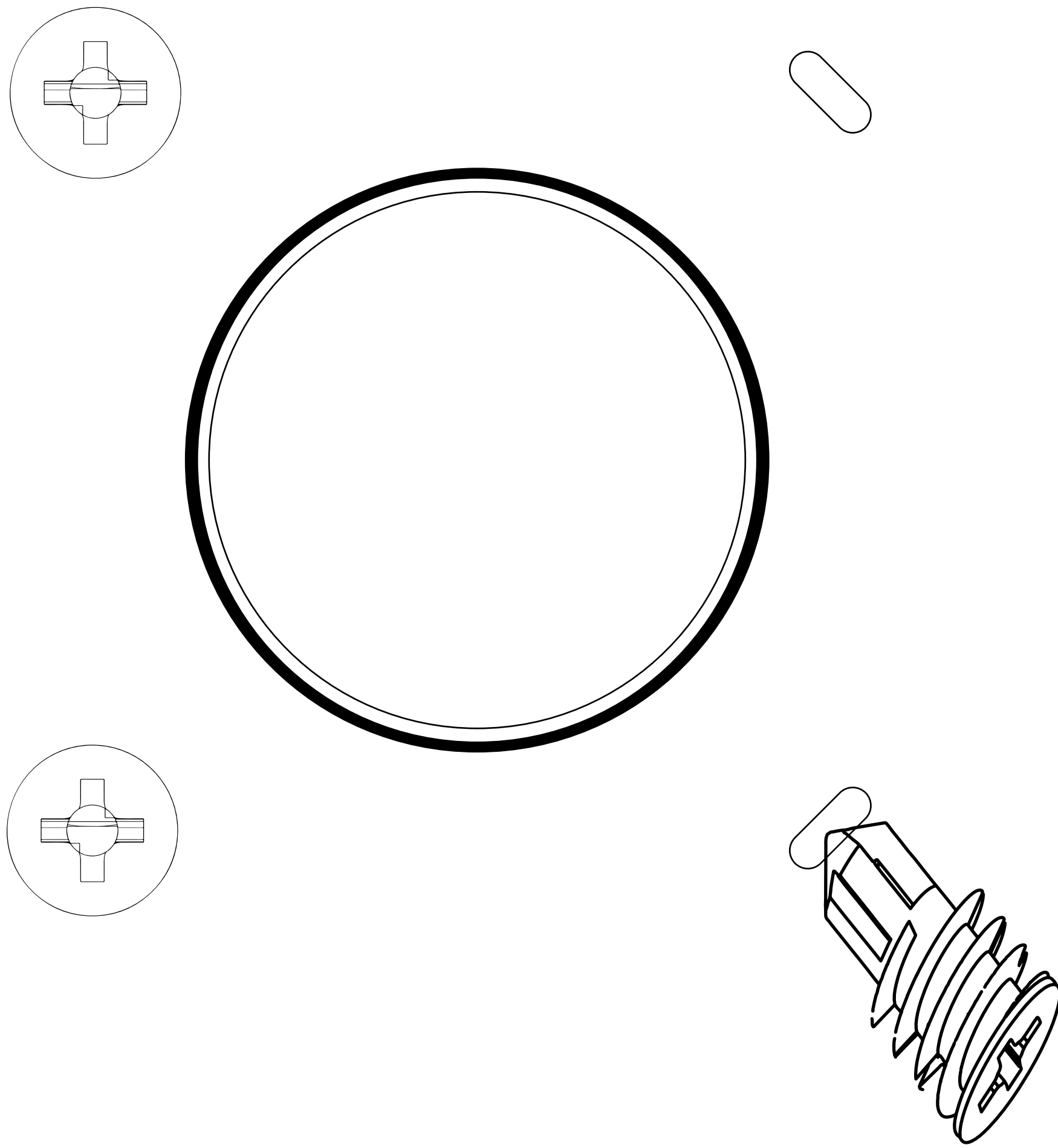
- 3. Insert the Wall Mount into the 2-3/4 - inch hole and use a leveling tool to level the Mount. Mark the 4 locations for the provided Anchors.**



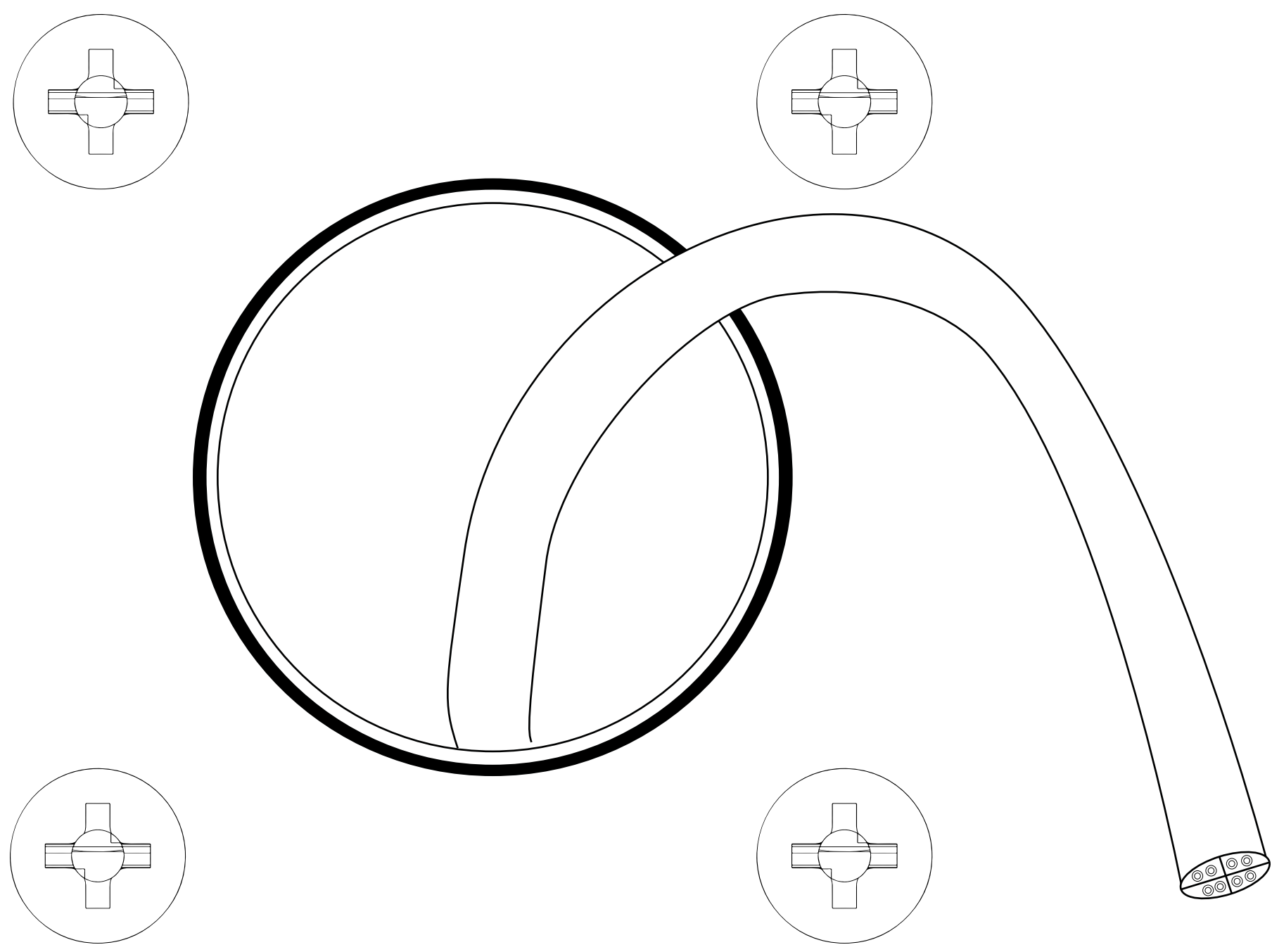
- 4. Remove the WallMount from the wall once you have marked the 4 anchor locations.**



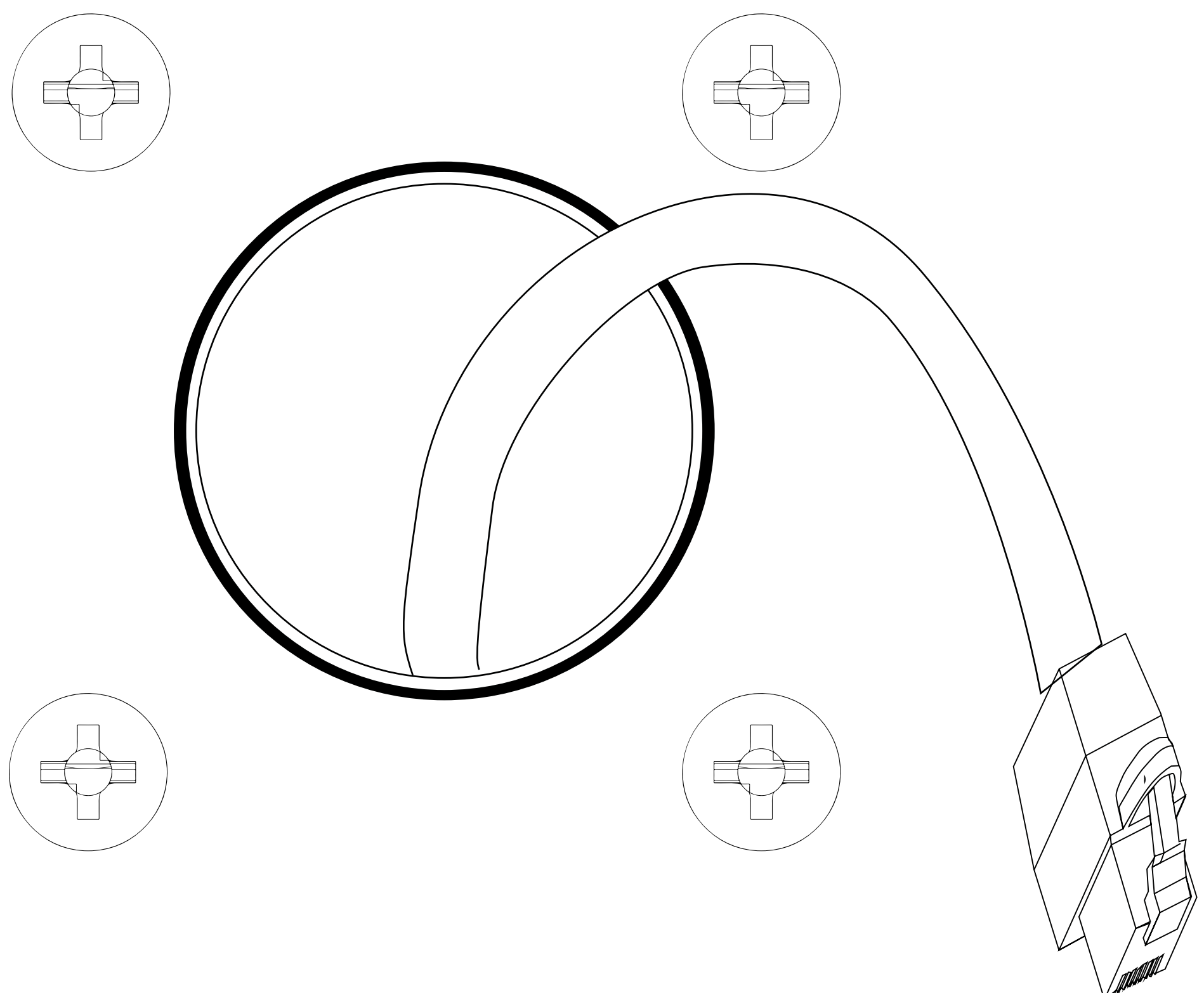
- 5. Screw the provided anchors into the wall where marked.**



- 6. Use the 2 3/4 - inch hole to fish a Cat6 cable to a network rack.**

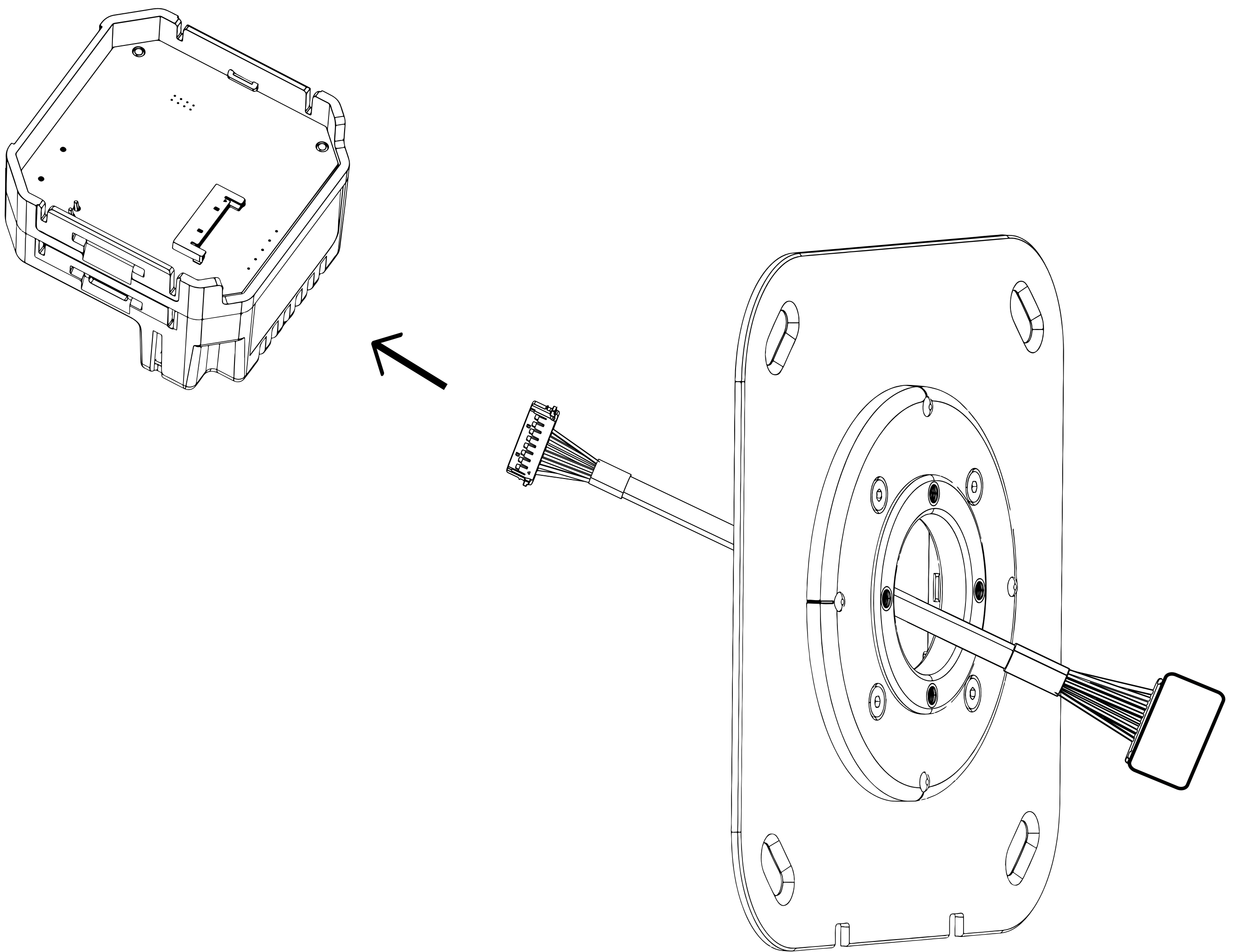


- 7. Terminate both ends the Cat6 with an RJ45 Connector using T568A or T568B standards**



WALLMOUNT

- 8. Connect the Molex Extension Cable to the PoE+ Network adapter making sure the gold pins are facing away from the molex connector.**
- 9. Feed the cable through the hole in the mount.**

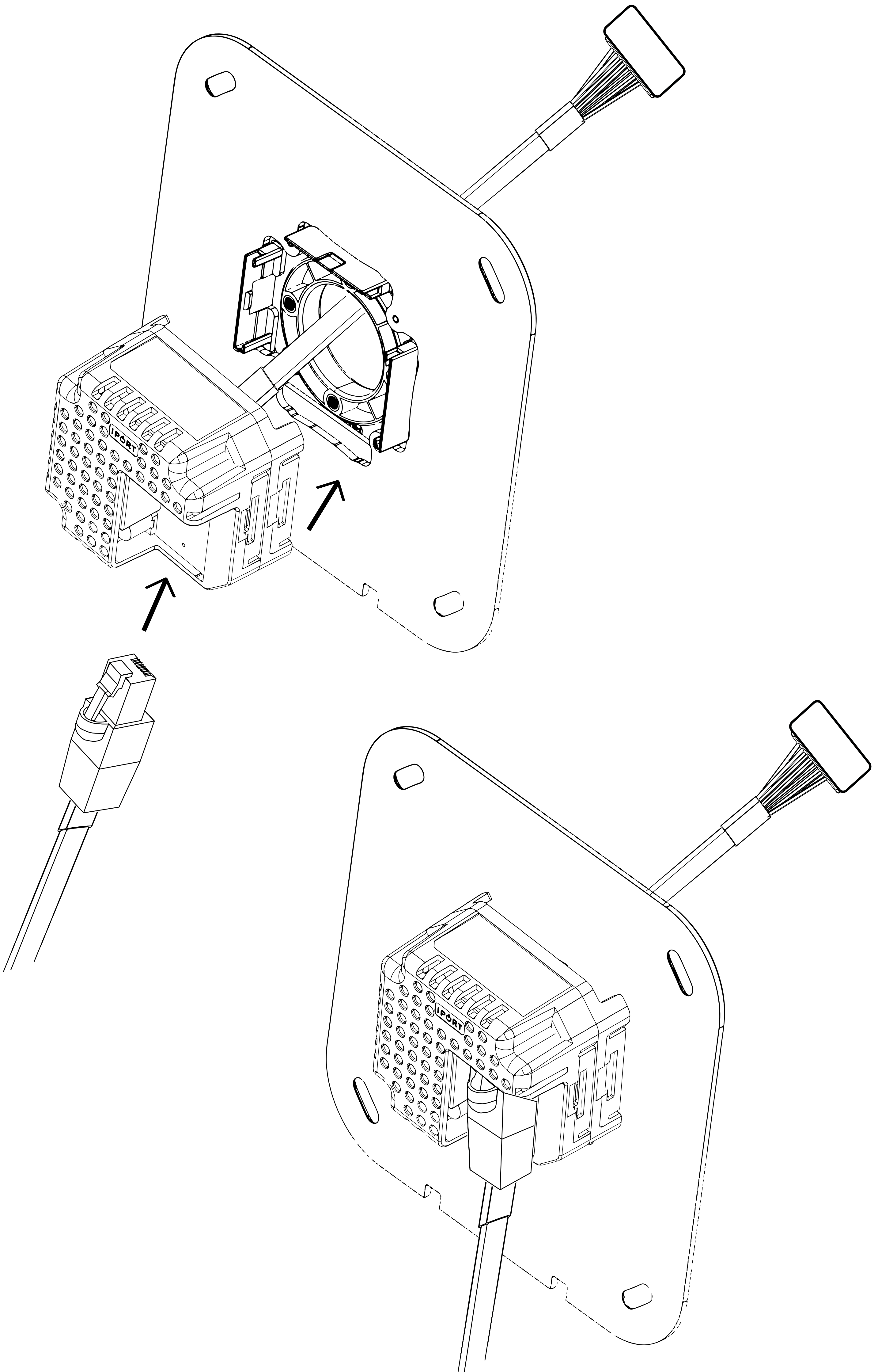


I PORT CONNECT MOUNT

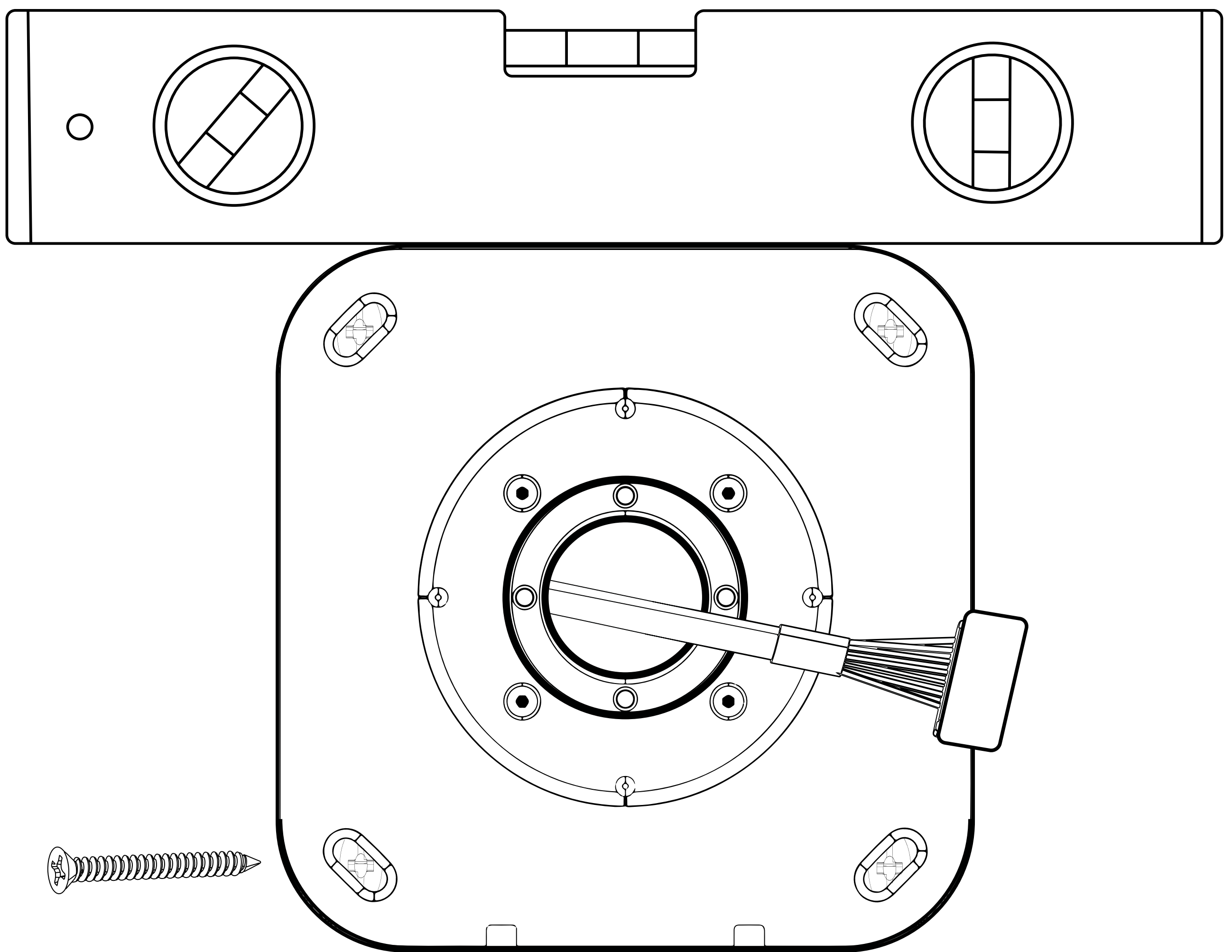
WALLMOUNT

Existing Constructions Cat6

10. Connect the Cat6 Cable to the Network Adapter and attach the Network Adapter onto the Connect Mount.



- 11. Insert the WallMount back into the wall and use the provided screws to attach the WallMount to the wall anchors making sure to level the WallMount before tightening the screws.**

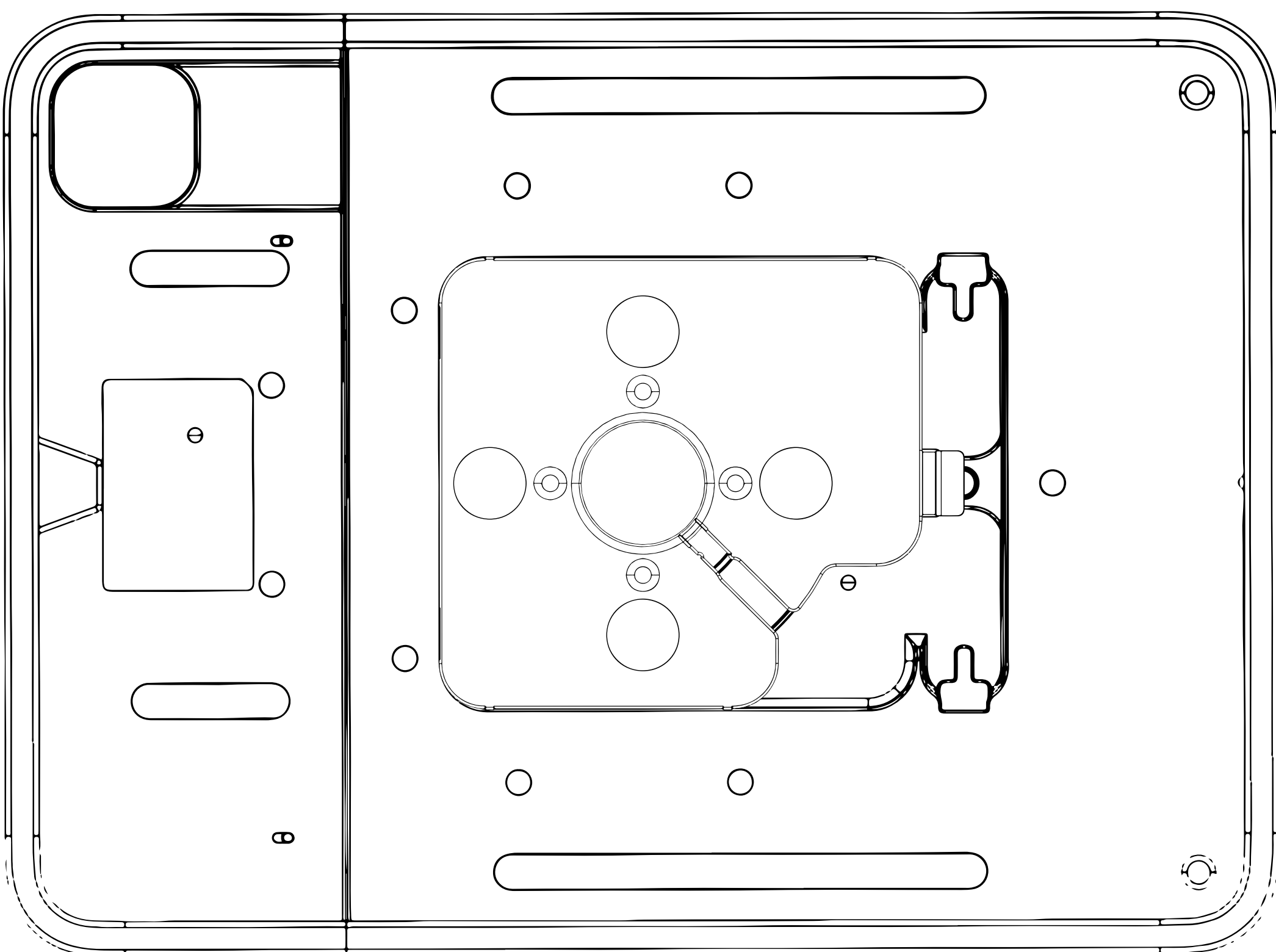
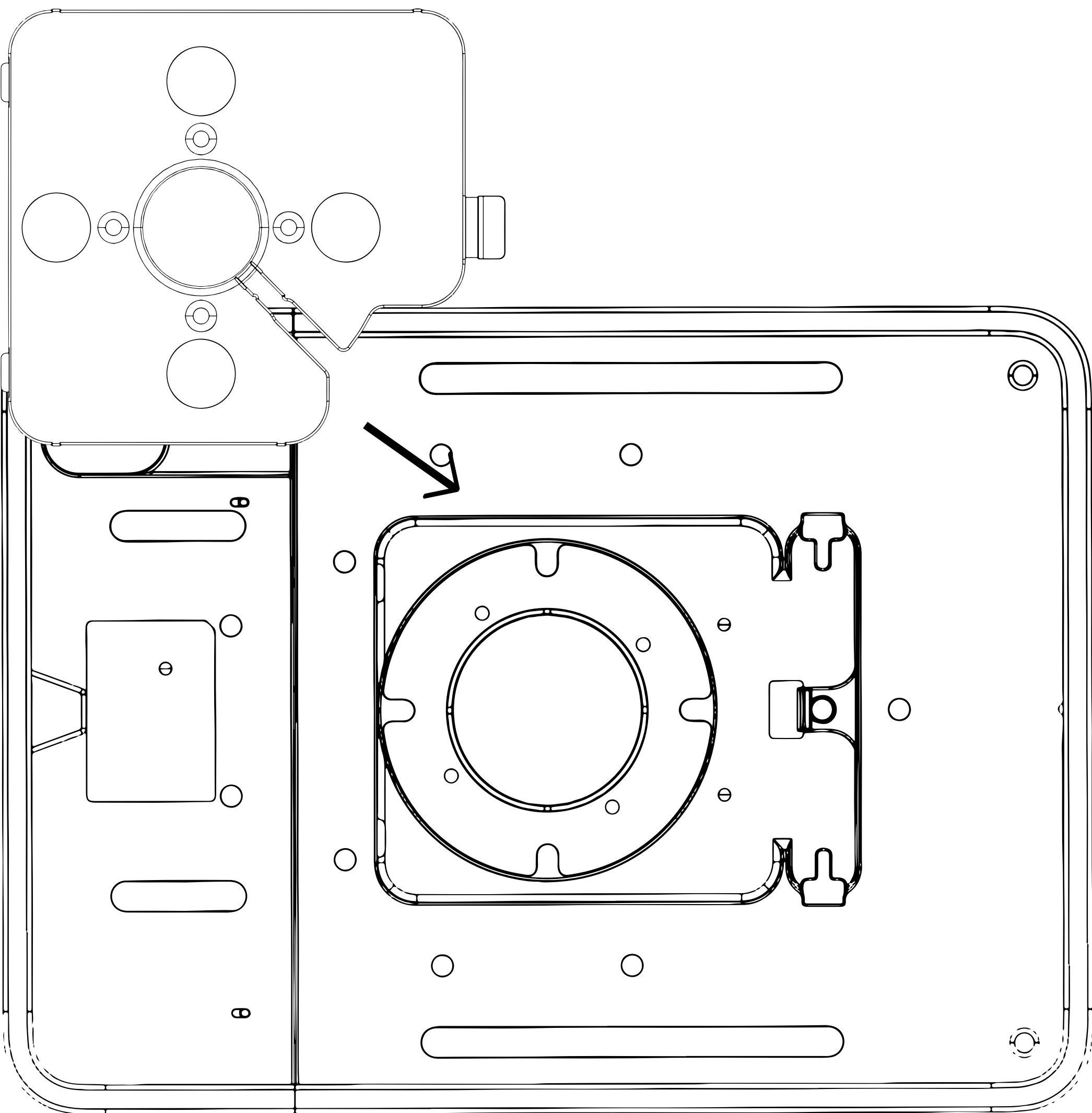


I PORT CONNECT MOUNT

WALLMOUNT

Existing Constructions Cat6

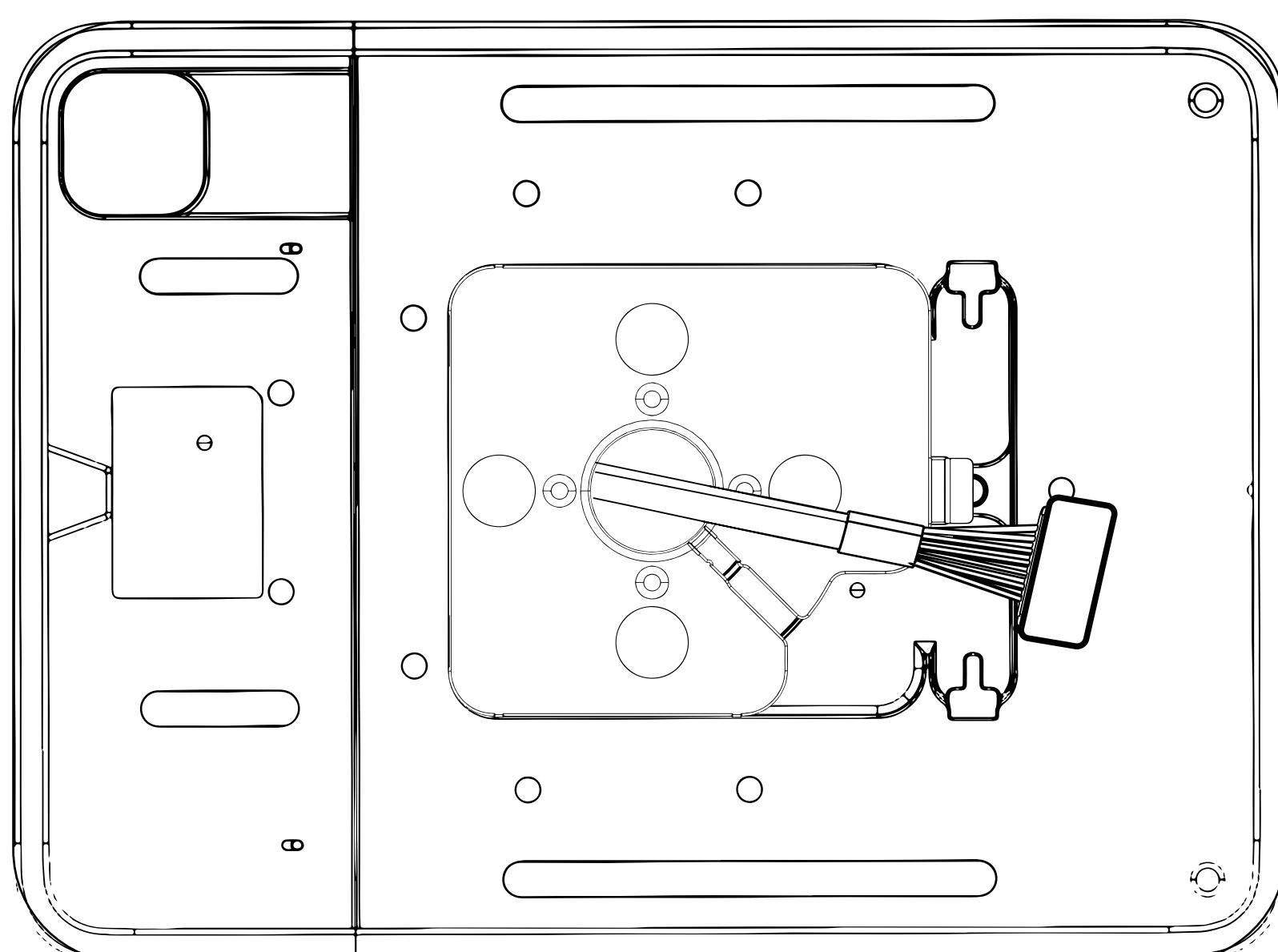
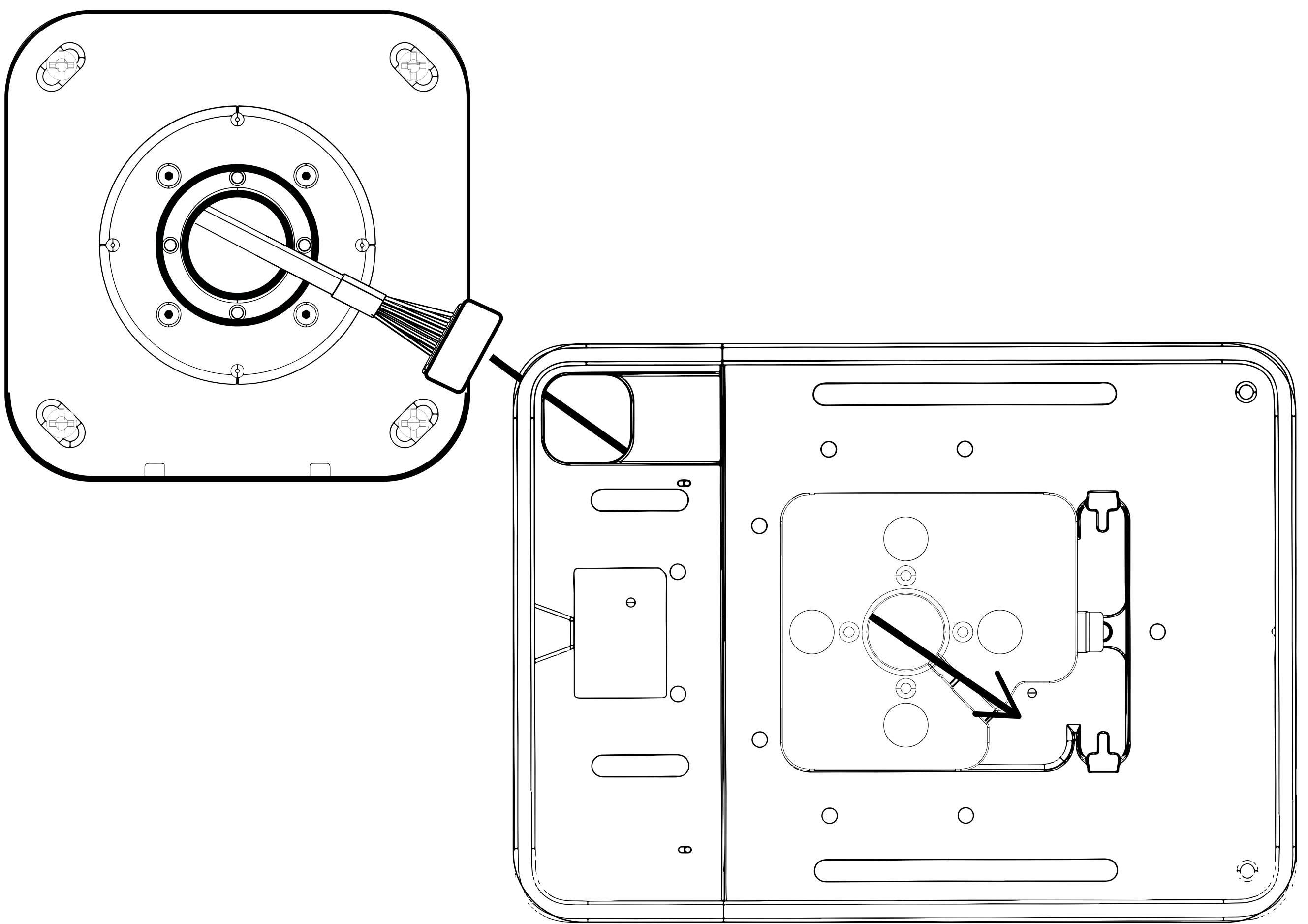
- 12. Insert the CONNECT mounting bracket into the CONNECT CASE making sure the bracket snaps into place securely.**



I PORT CONNECT MOUNT

WALLMOUNT

- 13. Place the Case onto the MOUNT in the desired portrait or landscape orientation. Feed the IPORT Molex cable through the center of the mounting bracket.**

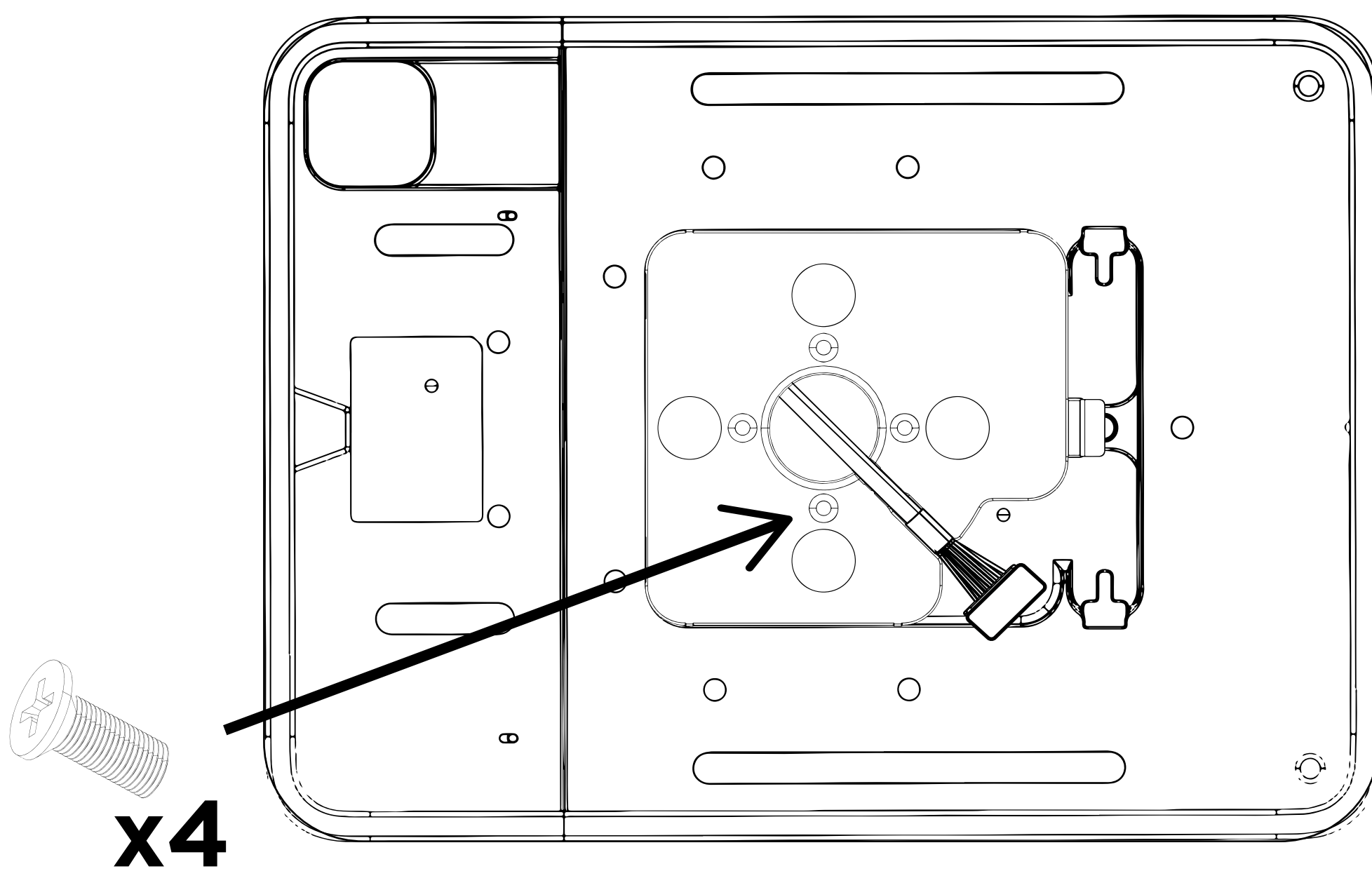


I PORT CONNECT MOUNT

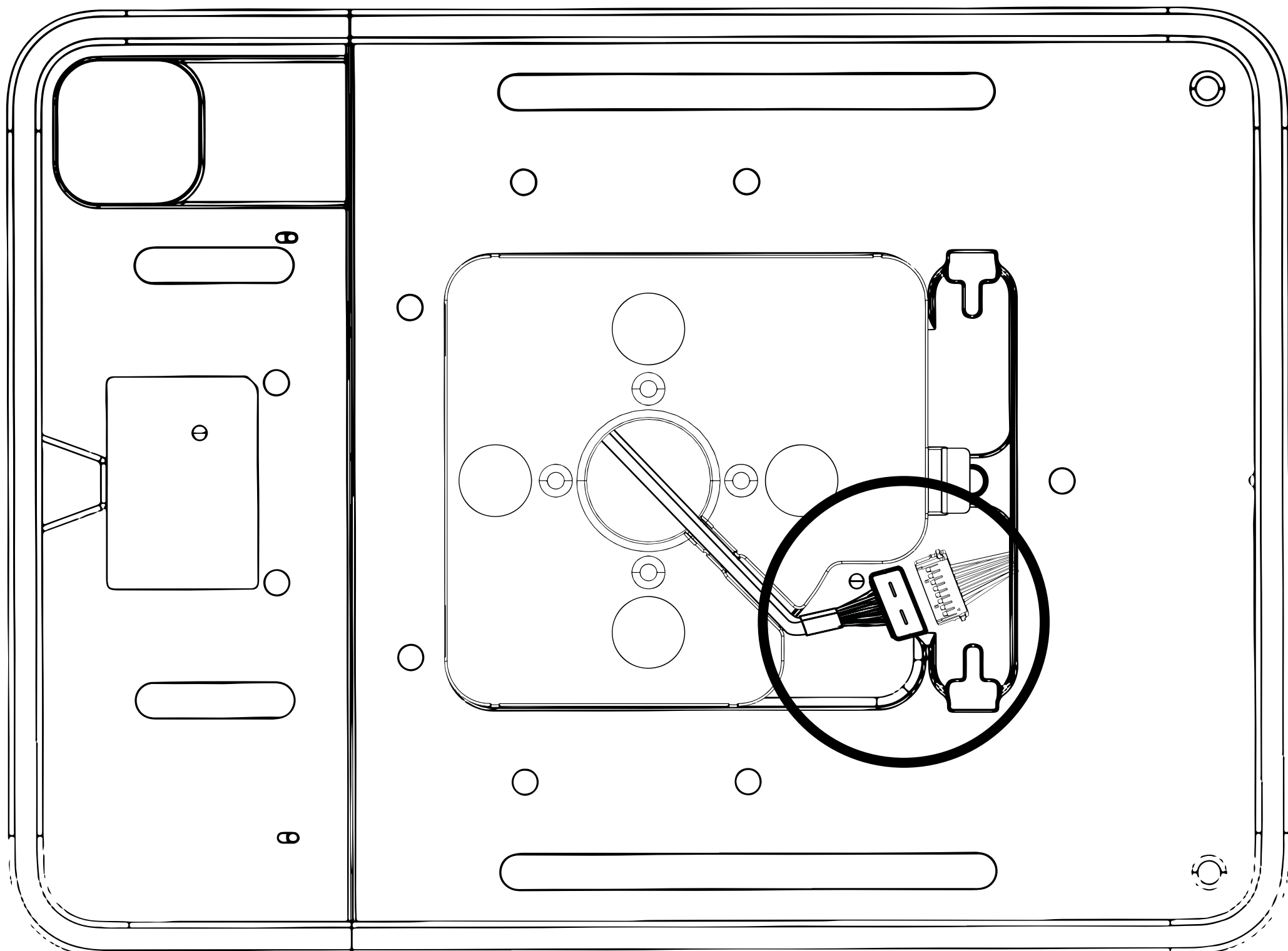
WALLMOUNT

Existing Constructions Cat6

14. Use the provided 4 machine screws to attach the Mounting Bracket to the CONNECT Mount Bracket.



15. Plug the molex connector from the Mount into the cable on the CONNECT CASE. Note the gold pins are facing outward when connecting into the Mount cable. Press the Mount cable into the channel to hold and secure the cable out of the way of the iPad.

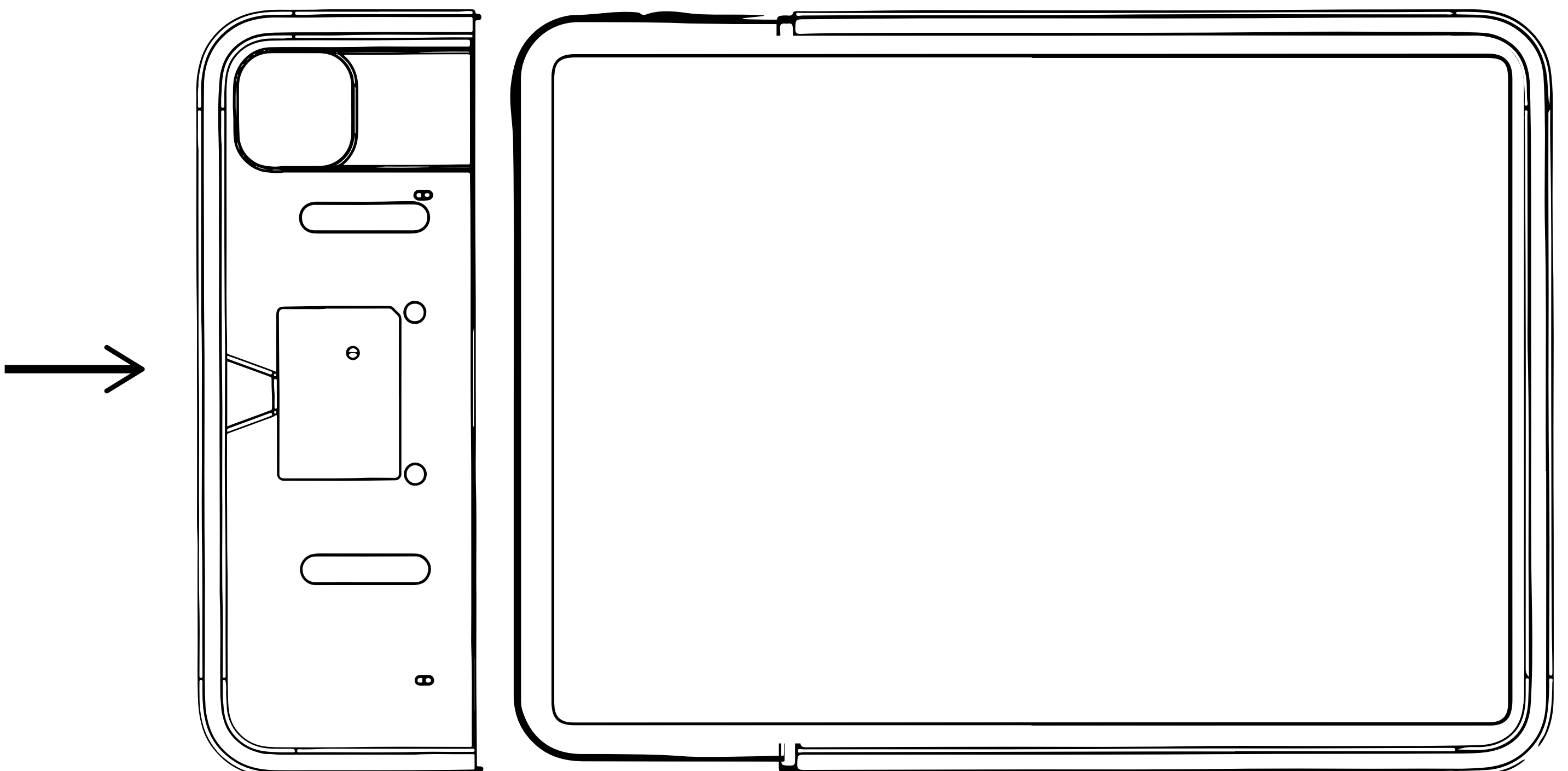
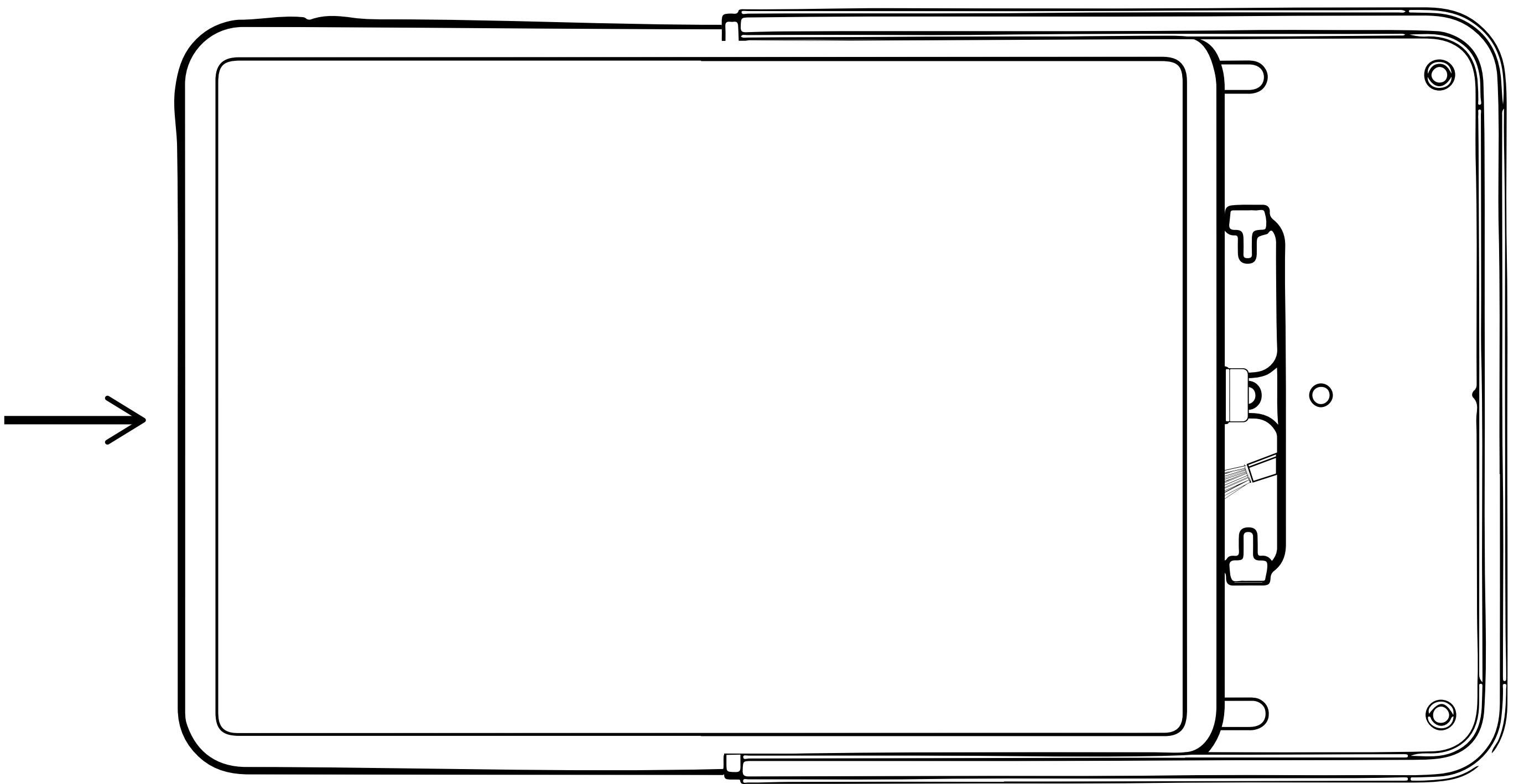


I PORT CONNECT MOUNT

WALLMOUNT

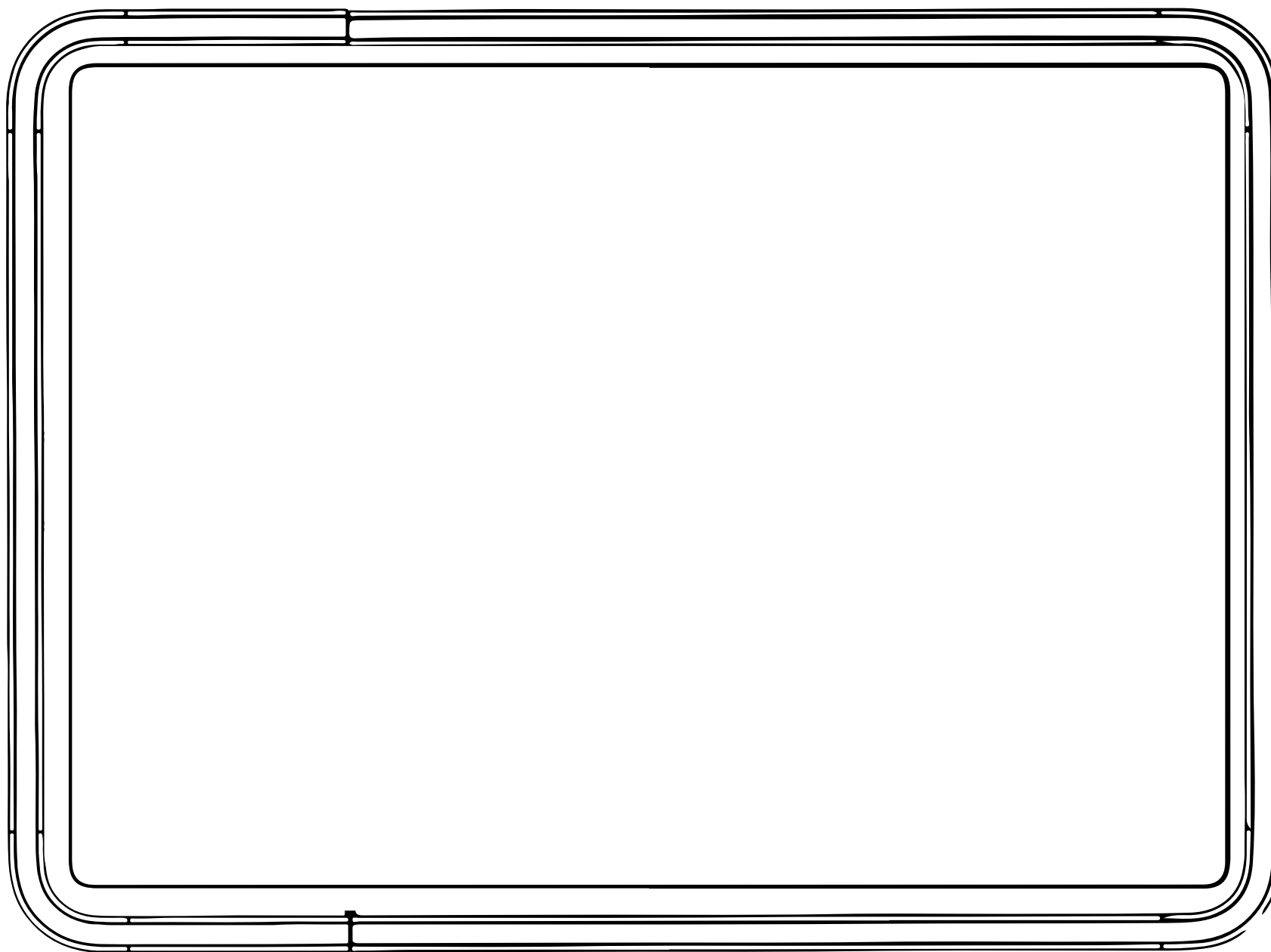
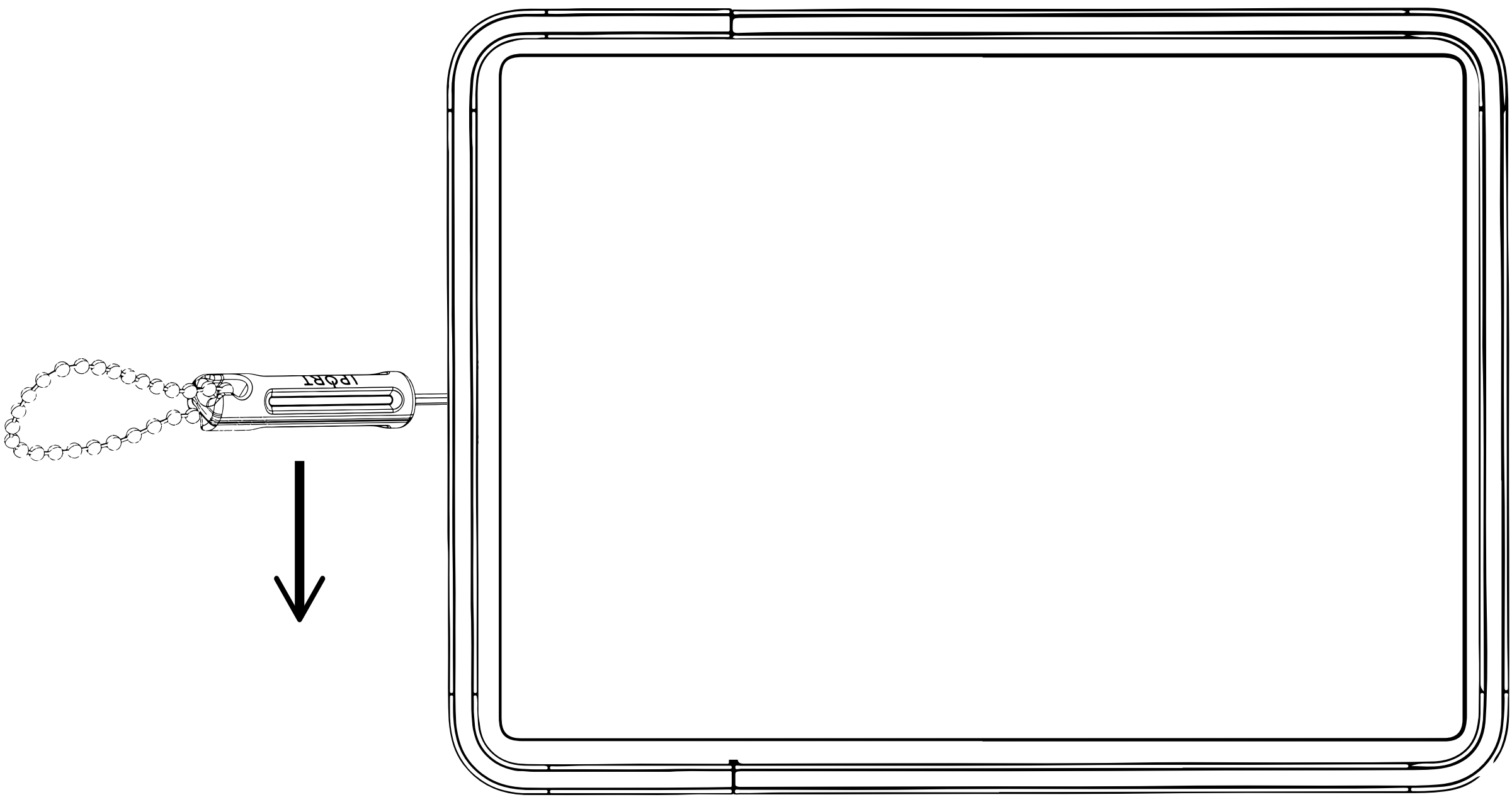
Existing Constructions Cat6

- 16. Insert the iPad into the attached Case and install the top onto the Case.**



WALLMOUNT

- 17. Use the provided IPORT Security tool to lock the Case top onto the Case securing the iPad.**



COMPLETE