

2CDC 071 024 S0010

Security Terminal MT/S 4.12.2M is a modular installation device (MDRC) in ProM design. It is intended for installation in the distribution board on 35 mm mounting rails and is used as the interface between security technology sensors and KNX. The device features 4 inputs, so-called zones. They are used for monitoring connected passive detectors, e.g. magnetic contacts and/or glass break sensors on the ABB i-bus® KNX and/or for connection of floating contacts in applications with enhanced security requirements.

The device can be used as a system with autonomous alarm logic or in combination with the Security Module or an Intrusion Alarm Panel with KNX interface.

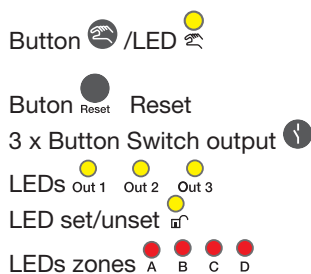
A 12 V DC SELV auxiliary voltage supply is required, e.g. NTU/S 12.2000.1. Typical applications include the monitoring of door and window opening, the detection of glass breaks as well as monitoring of rooms using motion detectors.

Technical Data

| | | |
|--|---|--|
| Supply | Bus voltage | 21...30 V DC via KNX |
| | Current consumption KNX | < 6 mA |
| | Auxiliary power supply required | 12 V DC ± 1.6 V SELV, Ripple ≤ 1.0 V _{pp} |
| | Auxiliary voltage current consumption | Min. 13 mA and max. 43 mA (without external loads) |
| Inputs | Number | 4 |
| | No-load voltage | 12 V DC |
| | Short-circuit current | Maximum 6 mA |
| | Permissible cable resistance | Maximum 200 Ω |
| | Primary line (detector circuits) | End of line resistor: 2.7 kΩ |
| | Setting/Unsetting input | Resistor combination (2,7 kΩ + 560 Ω in series) |
| Outputs | Number | 2 |
| | Short-circuit current | Maximum 0.6 A |
| | Type | Monostable relay |
| | Output 1: Nominal voltage U _n floating | 12...24 V DC |
| Output 2 and 3: Rated voltage U _n | 12 V DC (internal jumper) | |
| Connections | KNX | Bus connection terminal (black/red) |
| | Auxiliary voltage | Via screw terminals (0 V/12 V) |
| | Inputs | Via screw terminals (0 V/+) |
| | Outputs | Via screw terminals (outputs 2 and 3, common 0 V connection via auxiliary voltage) |
| Bus connection terminals | Screw terminals | 0.2...2.5 mm ² stranded |
| | | 0.2...2.5 mm ² solid |
| | Tightening torque | Multiple conductor connection capacity |
| | | 0.25...0.75 mm ² (equal cross-sections) |
| | | 0.25...1.5 mm ² (with ferrules) |
| | | Maximum 0.6 Nm |

Operating and display elements

Programming button/LED



For assignment of the physical address
For switchover between manual operation and KNX operation
For manual reset
For switching and display

Display of set/unset
Display of triggered zones, alarm memory

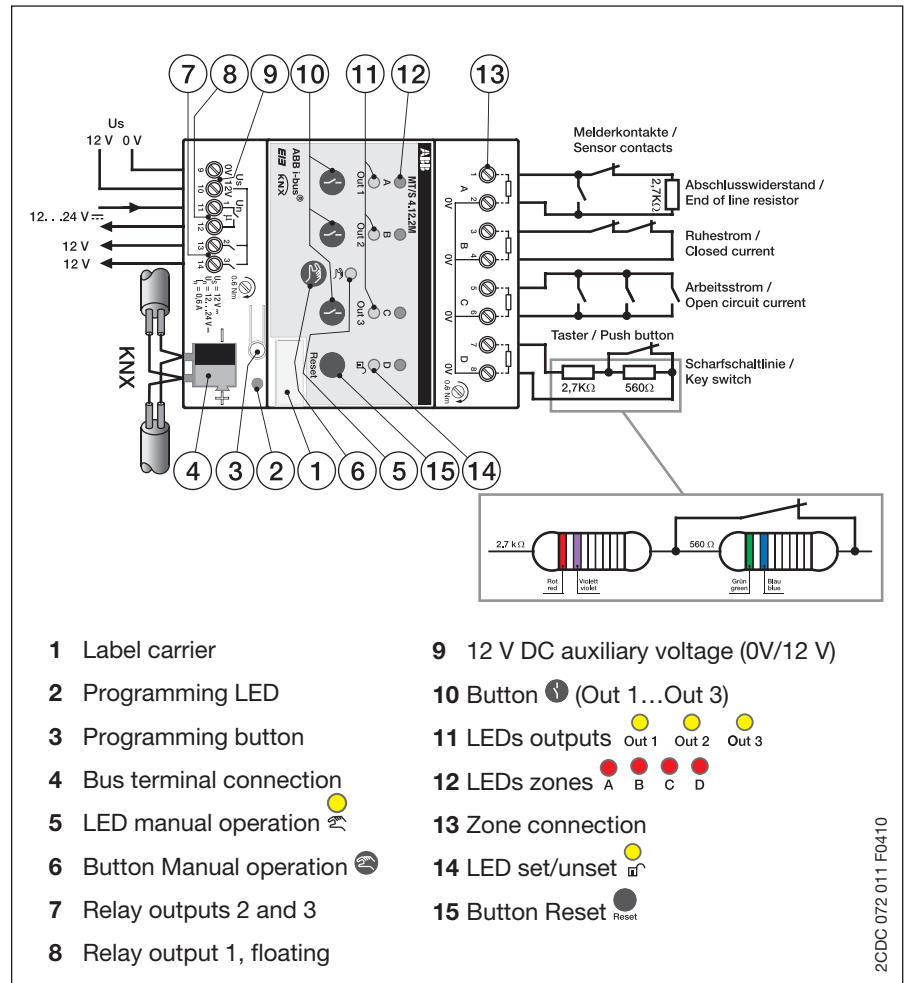
| | | |
|---------------------------|---|---|
| Enclosure | IP 20 | To EN 60529 |
| Safety class | II | To EN 61140 |
| Isolation category | Overvoltage category Pollution degree | III to DIN EN 60664-1 2 to DIN EN 60664-1 |
| Temperature range | Operation Transport Storage | -5 °C...+45 °C -25 °C...+70 °C -25 °C...+55 °C |
| Ambient conditions | Maximum air humidity | 93 %, no condensation allowed |
| Design | Modular installation device (MDRC) Dimensions Mounting width in space units Mounting depth | Modular installation device, ProM 90 x 72 x 67.5 mm (H x W x D) 4 modules at 18 mm 67.5 mm |
| Installation | On 35 mm mounting rail | To EN 60 715 |
| Mounting position | As required | |
| Weight | 0.15 kg | |
| Housing, colour | Plastic, halogen free, grey | |
| Approvals | KNX to EN 50 090-1, -2 | |
| CE mark | In accordance with the EMC guideline and low voltage guideline | |

| Application program | Maximum number of communication objects | Maximum number of group addresses | Maximum number of associations |
|-------------------------------|---|-----------------------------------|--------------------------------|
| Monitor Report Display 4f/1.0 | 47 | 254 | 255 |

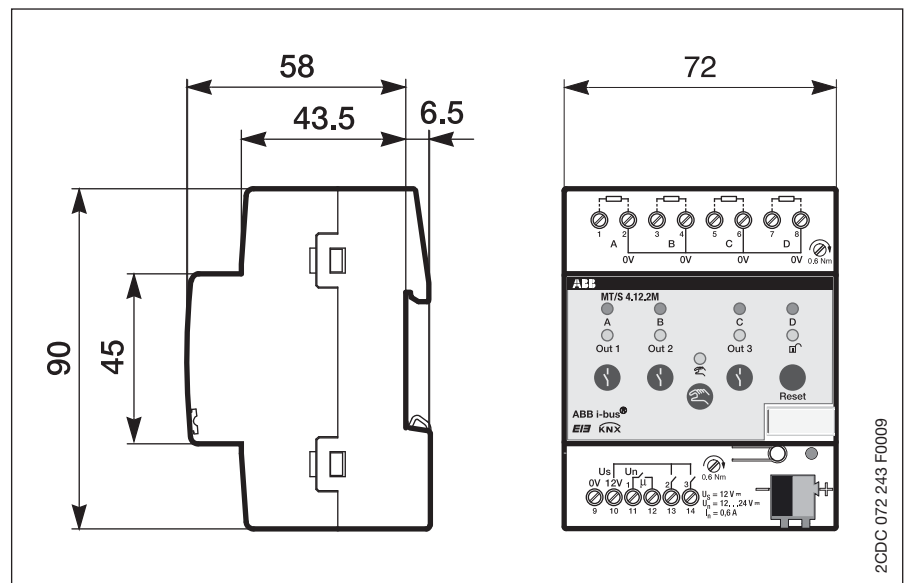
Note

Detailed information about the application can be found in the product Manual for the „Security Terminals MT/U 2.12.2, MT/S 4.12.2M and 8.12.2M“. This manual can be free downloaded under www.ABB.de/KNX.
The programming requires EIB Software Tool ETS2 V1.3a or higher.
If ETS3 is used, a *.VD3 or higher type file must be imported. The application program is available in the ETS2 / ETS3 at ABB / Security and Surveillance / Security Terminals.
The device does not support the closing function of a project or the KNX device in the ETS. If you inhibit access to all devices of the project with a BCU code (ETS3), it has no effect on this device. Data can still be read and programmed.

Connection schematic



Dimension drawing



Notes

